

By **DIVERSIFIED**

Texas License No: F-9655

**Buddy Bushing Allowable Wear Form****(This Page for Diversified to Fill Out)**

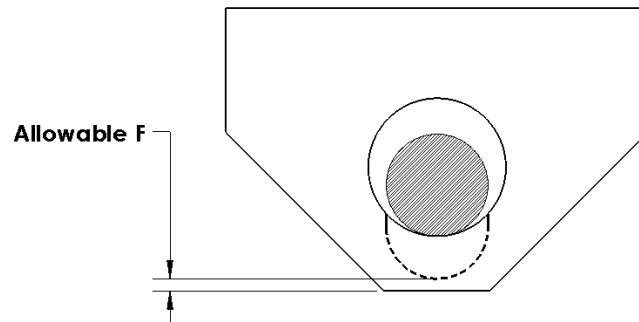
COMPANY: \_\_\_\_\_

DATE: \_\_\_\_\_

COMPANY PURCHASE ORDER: \_\_\_\_\_

DPD PART NO.: \_\_\_\_\_

DPD QUOTATION NO.: \_\_\_\_\_



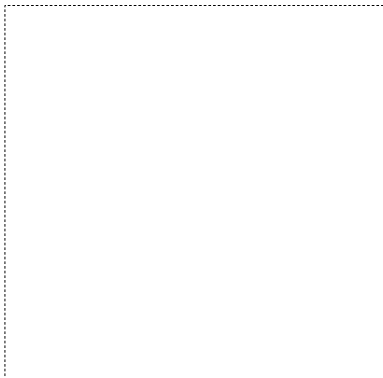
The following "F" dimensional value results from Diversified engineering analyses of the requested loads and dimensions in order to specify the minimum allowed material "F." Diversified analyses are based upon and rely fully on the accuracy of the dimensions and the loads provided by COMPANY and indicated on page 2 and 3 of this form.

F = \_\_\_\_\_ Inches MINIMUM MATERIAL THICKNESS

Authorized Diversified Engineering Signature

\_\_\_\_\_

Seal:



By **DIVERSIFIED**

Texas License No: F-9655

**BUDDY BUSHING FORM**

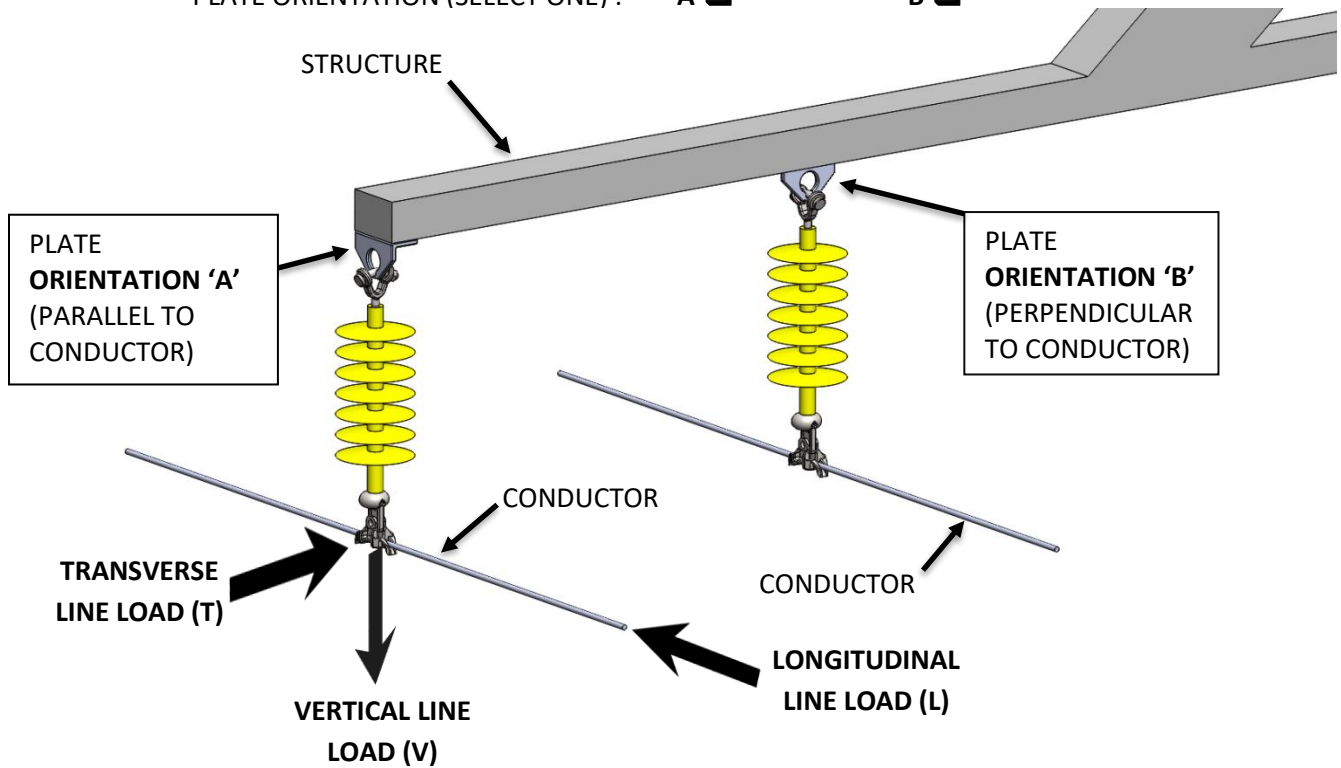
COMPANY: \_\_\_\_\_

Date: \_\_\_\_\_

Please fill out this form completely and include pictures of the hardware assembly, top, sides, and end of arm. When completed, send the form and pictures to [sales@line-wise.com](mailto:sales@line-wise.com) or fax to (254) 757-1188.

APPLICATION DESCRIPTION: (Voltage, Type of Cable, etc.) \_\_\_\_\_

PLATE ORIENTATION (SELECT ONE) :    **A**                       **B**



Fill out table below for each load case that the Buddy Bushing will be designed for. Please add the safety factor (SF) used for each load.

Load Case Name						
	load (lb)	SF	load (lb)	SF	load (lb)	SF
Vertical						
Transverse						
Longitudinal						

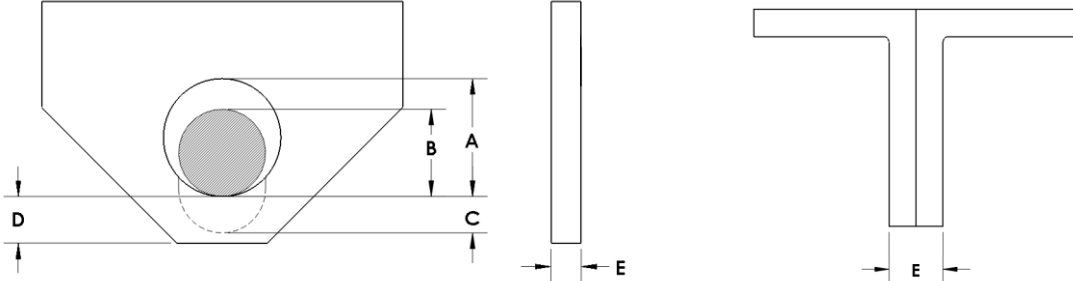
By **DIVERSIFIED**

Texas License No: F-9655

**PLATE CONSTRUCTION DESCRIPTION**

Single Plate  Two Angles Bolted Together

Grade of Material \_\_\_\_\_



Single Plate Construction

Two Angle Construction

<u>DIM</u>	<u>DESCRIPTION</u>	<u>ADDITIONAL COMMENTS</u>
A	Diameter of Hole	_____
B	Diameter of Hardware Pin/Bolt	_____
C	Amount of Wear in Hole	_____
D	Bottom of Original Hole to Bottom Edge of Plate	_____
E	Total Plate Thickness	_____
	Plate In-Service Date	_____

TYPES OF HARDWARE ATTACHED TO PLATE

MANUFACTURER MODEL/PART NUMBER

\_\_\_\_\_  
 \_\_\_\_\_  
 \_\_\_\_\_

Can Hardware Be Changed? Yes  No

ADDITIONAL DOCUMENTATION

(Pictures, Drawings of Plate, Installation Information)

\_\_\_\_\_  
 \_\_\_\_\_  
 \_\_\_\_\_

CONTACT NAME: \_\_\_\_\_  
 CONTACT PHONE: \_\_\_\_\_  
 CONTACT EMAIL: \_\_\_\_\_