

TLL-500A S3 ORDER FORM



Customer: _____

Contact Name: _____

E-mail: _____

Phone #: _____

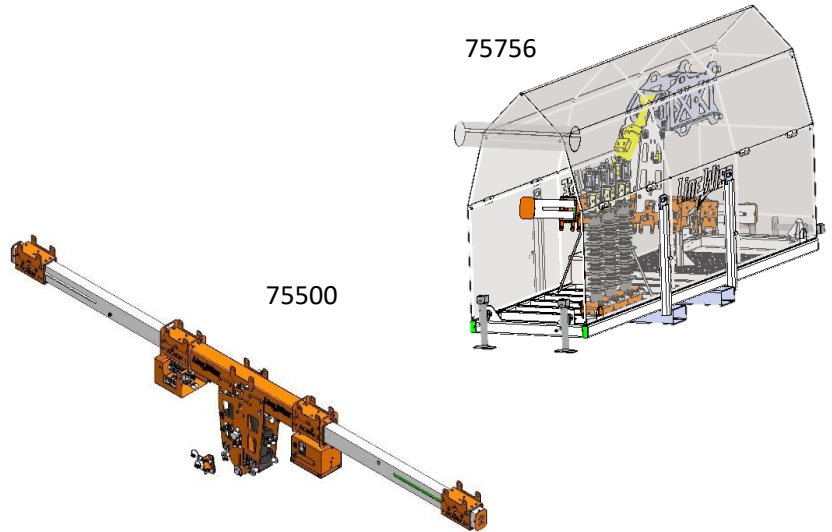
For any questions or concerns, please call (254)757-1177 and ask for our Sales Department or email sales@linewise.com

1

Base unit

Main Unit (75500)

Storage Skid (75756)



2

Choose Adapter

(Included with Base Unit)

– Crane Information –

Crane Make and Model:

Crane Serial #:

Able to provide Load Charts?:

Adapter # if in List:

Must be able to provide pictures of boom tip, serial number plate, and load chart.

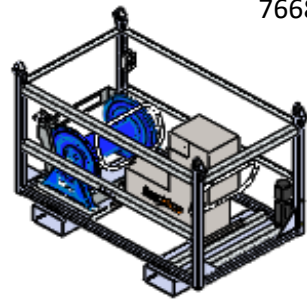
Cranes Adapters we have:

- 75430 – Terex General 80
- 75470 – Terex General 65
- 75970 – Altec D4050
- 76670 – Terex C5000 Boom or Turret Mounted Winch
- 76907 – Skytrak 8042
- 78180 – Elliott D86 / D105 / D115
- 78815 – Elliott 40142
- 79184 – Altec ac 38127

3

Choose HPU

- Gas HPU (76683)
(Included with base unit)



76683

4

Choose Insulators

(Each Unit requires a set of 3 insulators.
Capacity will vary.)

Clear span is shown in parentheses
Includes dielectric testing and covers

Polymer Insulator with Standard Wire Holder

- 69 kV (78916-69)
- 34.5 kV (78916-35)

Sealed Fiberglass Insulator with Standard Wire Holder

- 69 kV (40.125") (78918-69)
- 34.5 kV (31.125") (78918-35)

Polymer Insulator with SGWH

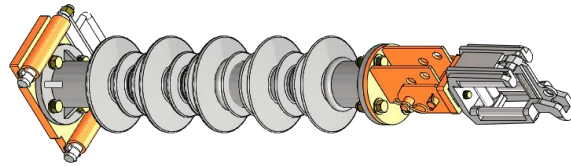
- 69 kV (78917-69)
- 34.5 kV (78917-35)

Sealed Fiberglass Insulator with SGWH

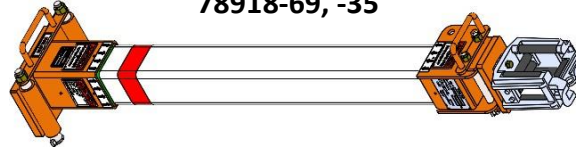
- 69 kV (40.125") (78919-69)
- 34.5 kV (31.125") (78919-35)

Standard Wire Holder

78916-69, -35

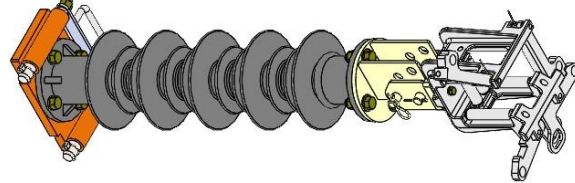


78918-69, -35

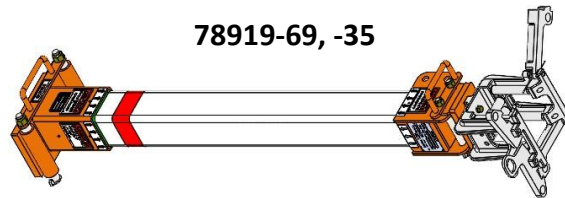


Swing Gate Wire Holder (SGWH)

78917-69, -35



78919-69, -35



**** Prices Subject to Change****

5

Additional Info/Questions

6 Available Options

(Add Quantity Desired)

Some Options Might Change Capacity

- Extra Insulator Package -

- QTY: __ 34.5kV Polymer (78912-35)
- QTY: __ 34.5kV Sealed Fiberglass (78914-35)
- QTY: __ 69kV Polymer (78912-69)
- QTY: __ 69kV Sealed Fiberglass (78914-69)

- Extra SGWH Insulator Package -

- QTY: __ 34.5kV Polymer (78913-35)
- QTY: __ 34.5kV Sealed Fiberglass (78915-35)
- QTY: __ 69kV Polymer (78913-35)
- QTY: __ 69kV Sealed Fiberglass (78915-69)

- Insulator with Hardware -

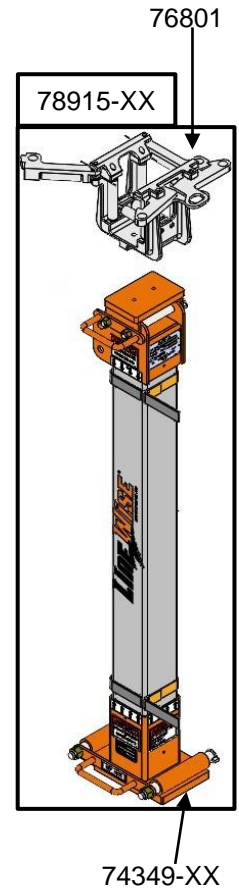
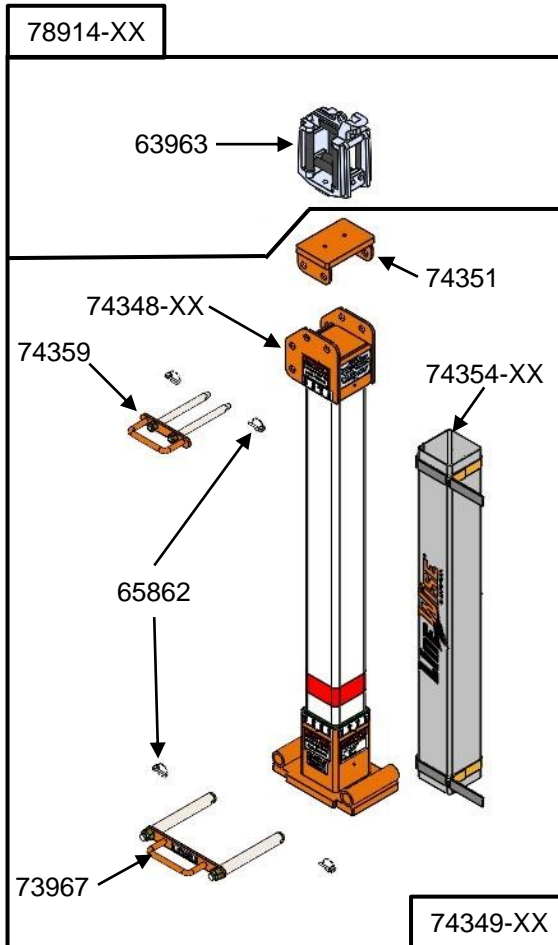
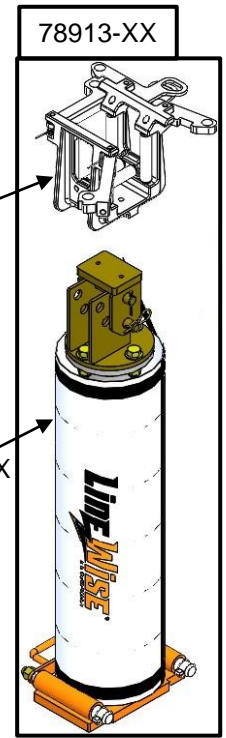
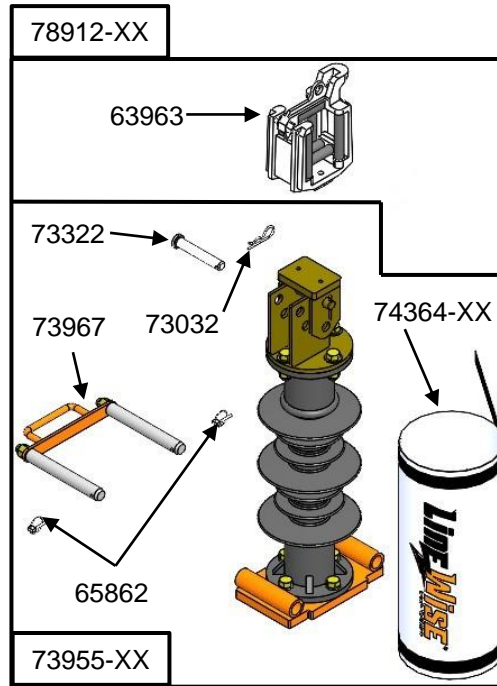
- QTY: __ 34.5kV Polymer (73955-35)
- QTY: __ 34.5kV Sealed Fiberglass (74349-35)
- QTY: __ 69kV Polymer (73955-34)
- QTY: __ 69kV Sealed Fiberglass (74349-69)

- Extra Insulator Covers -

- QTY: __ 34.5kV Polymer Cover (74364-34)
- QTY: __ 69kV Polymer Cover (74364-69)
- QTY: __ 34.5kV Fiberglass Cover (74354-35)
- QTY: __ 69kV Fiberglass Cover (74354-69)

- Components -

- QTY: __ Standard Wire Holder (63963)
- QTY: __ Linch Pin (65862)
- QTY: __ Hair Pin (73032)
- QTY: __ Rotation Pin (73322)
- QTY: __ Double Pin for Insulator (73967)
- QTY: __ 34.5kV Fiberglass Insulator (74348-35)
- QTY: __ 69kV Fiberglass Insulator (74348-69)
- QTY: __ W/H Base Plate (74351)
- QTY: __ Double Pin for W/H (74359)
- QTY: __ Swing Gate Wire Holder (76801)



**** Prices Subject to Change ****

6

Available Options

Continued from Page 3

QTY:___ *Pivoting Static Arm (74389)*
(Horizontal Builds Only, Requires Fiberglass Insulator 74348-XX and Cover 74354-XX)

QTY:___ *18" Insulator Extension (77331)*

QTY:___ *36" Insulator Extension (77338)*

QTY:___ *Solar Charger Kit (75100)*
(One included with unit produced after 03/2023. Older units can be retrofitted.)

QTY:___ *Desiccant (30046-009) (5 LB Jug)*
(Fiberglass Insulator Only) Not Shown

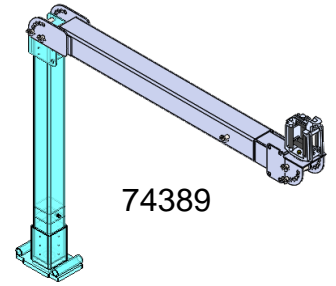
QTY:___ *Extra Remote (75589-01) Not Shown*

QTY:___ *Hydraulic Fitting Cap (75283) Not Shown*

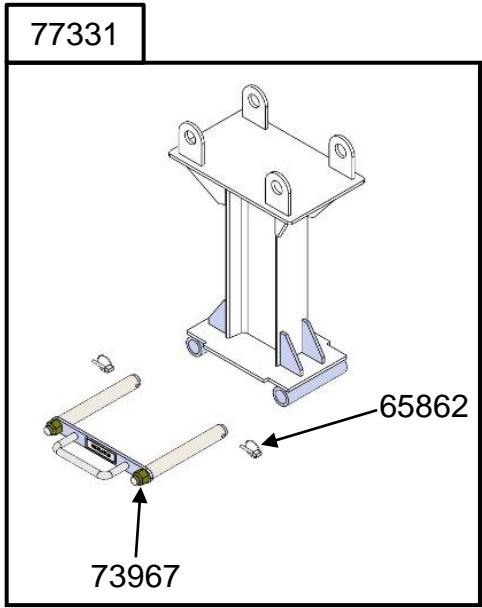
QTY:___ *Hydraulic Fitting Plug (75284) Not Shown*

PO #:

Signature:



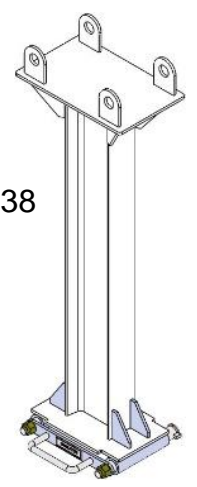
74389



77331



75100



77338