

TLL-300 ORDER FORM



Customer: _____
Contact Name: _____
E-mail: _____
Phone #: _____

For any questions or concerns, please call (254) 757-1177 and ask for our Sales Department or email sales@line-wise.com

QTY: ___ TLL-300 Top Level (78888) 1 unit required per full unit ordered

1 Choose your arm

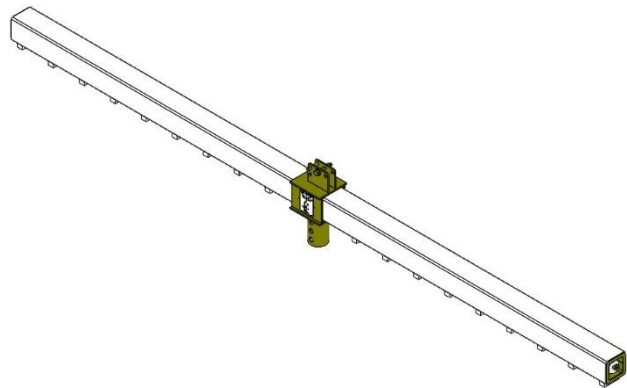
(Add Quantity Desired)

Includes dielectric testing and covers

QTY: ___ 8ft Cross Arm Horizontal Only (77134)

QTY: ___ 8ft Cross Arm Horizontal and Vertical (78855)

QTY: ___ 10ft Cross Arm Horizontal and Vertical (77303)



2 Choose your Slider

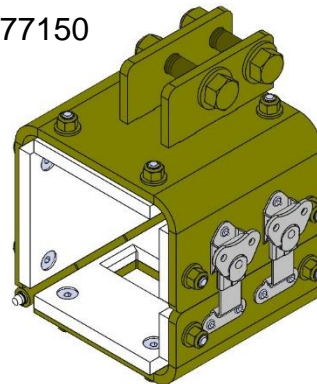
(Add Quantity Desired)

Requires 2 minimum per unit

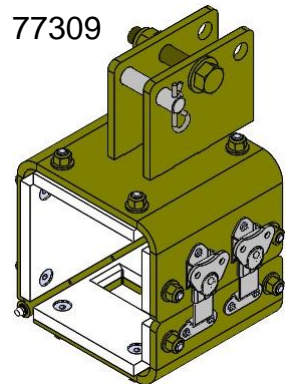
QTY: ___ Slider Horizontal Only (77150)

QTY: ___ Slider Horizontal and Vertical (77309)

77150



77309



3 Choose your Wire holder

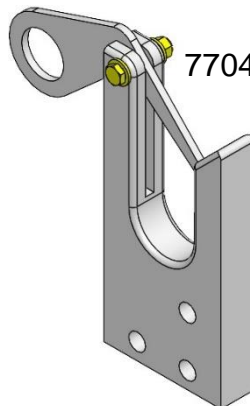
(Add Quantity Desired)

Requires 3 minimum per unit

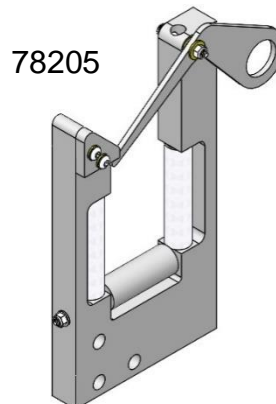
QTY: ___ Standard Wire Holder (77048)

QTY: ___ Roller Wire Holder (78205)

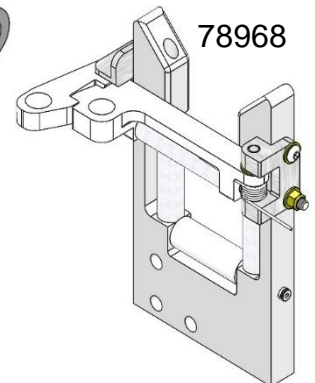
QTY: ___ Swing Gate Wire Holder (78968)



77048



78205



78968

4

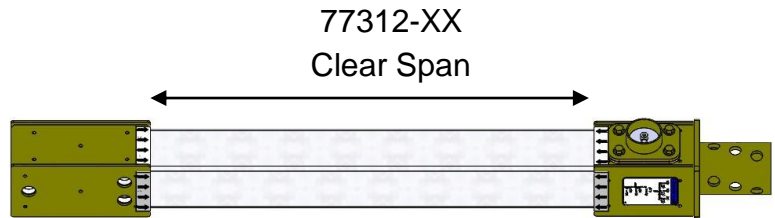
Choose your Mast

(Add Quantity Desired)

Clear Span shown in parentheses
Includes dielectric testing and covers

QTY: ___ Square mast (12.25") (77312-01)

QTY: ___ Square Mast (31") (77312-02)



Round Mast for Horizontal Use Only

DUE TO VARIATIONS IN MATERIAL HANDLING JIBS,
THE CLEAR SPAN IS ESTIMATED

3" Round Mast Pin Size 11/16"

QTY: ___ Round Mast (32.5) (78861)

QTY: ___ Round Mast (26.5) (78861-24)

QTY: ___ Round Mast (14.5) (78861-12)

2.88" Round Mast Pin Size 1"

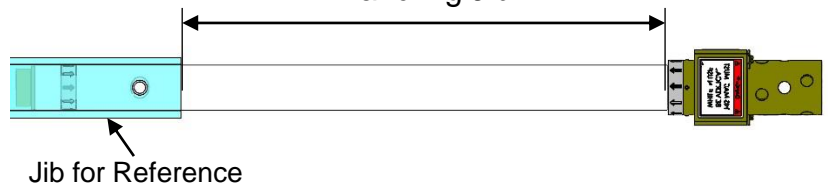
QTY: ___ Round Mast (32.5) (78863)

QTY: ___ Round Mast (26.5) (78863-24)

QTY: ___ Round Mast (14.5) (78863-12)

78861-XX /
78863-XX

Estimated Clear
Span from Material
Handling Jib



5

Adapter

Required for Square mast
(Add Quantity Desired)

—Crane / Bucket Truck—

—Information—

Make and Model:

Serial #:

Able to provide Load Charts?:

Adapter # if in List

**Must be able to provide pictures of
boom tip / jib tip, serial number
plate, and load chart.**

Crane Adapters we have:

QTY: ___ 77930-01 – Altec, D2000 / D3000 / D4000

QTY: ___ 77930-02 – Terex, C4000 / C5000 / General 65

QTY: ___ 77930-03 – Terex, C6060

QTY: ___ 77930-04 – Altec, DM47B B R

QTY: ___ 77930-05 – Altec, DM47B T R & DL45 T B

6

Available Options

(Add Quantity Desired)

Some Options might change capacity

QTY: ___ Storage Box (77797)

QTY: ___ Rotation Pin (73000-141)

QTY: ___ Wire Holder Rotation Pin

(69670-059)

QTY: ___ Wire Holder Rotation Hair Pin

(65201)

QTY: ___ Desiccant 5 LB Jug (30046-009)

Not Shown

QTY: ___ 8' Cross Arm Cover (77361-45)

(2 Used Per Cross Arm)

QTY: ___ 10' Cross Arm Cover (77361-57)

(2 Used Per Cross Arm)

QTY: ___ Mast Cover Square Mast 12.25"

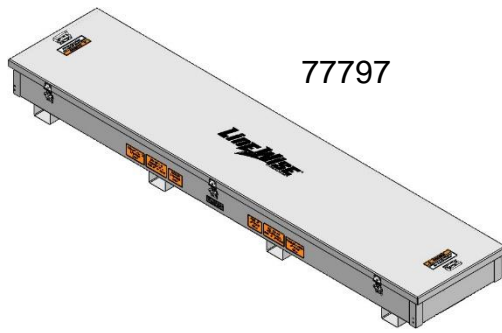
(77364-12)

QTY: ___ Mast Cover Square Mast 31"

(77364-31)

QTY: ___ Mast Cover fits 2.88" / 3" Round

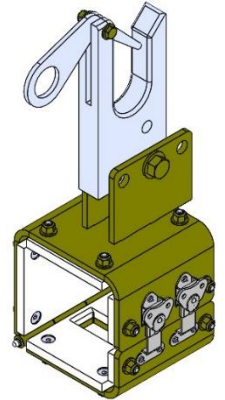
Mast (77363)



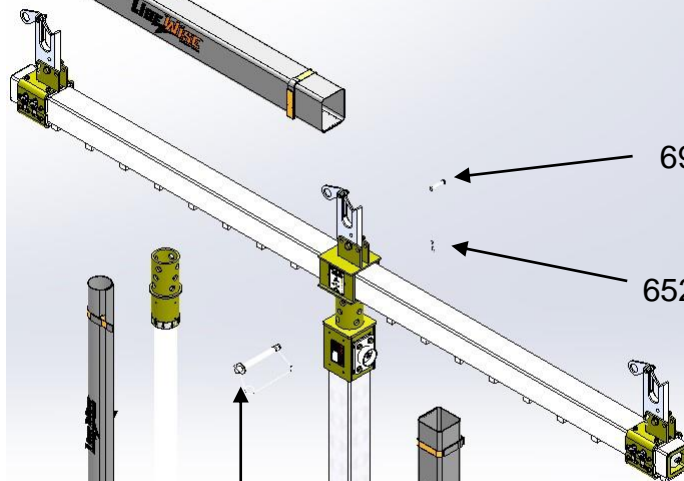
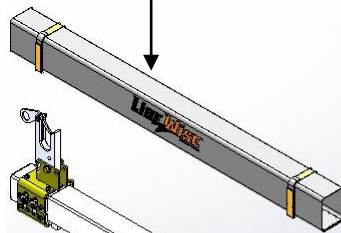
77797

69670-059

65201

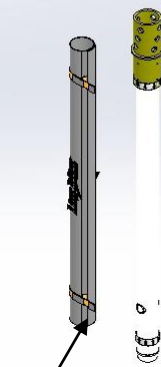


77361
-45 -57



69670-059

65201



77363

73000-141



77364
-12 -31

PO#:

Signature:

7

Additional Information/Questions
