

# TLL-300 ORDER FORM



Customer: \_\_\_\_\_  
Contact Name: \_\_\_\_\_  
E-mail: \_\_\_\_\_  
Phone #: \_\_\_\_\_

For any questions or concerns, please call (254) 757-1177 and ask for our Sales Department or email [sales@line-wise.com](mailto:sales@line-wise.com)

QTY: \_\_\_ TLL-300 Top Level (78888) 1 unit required per full unit ordered

## 1 Choose your arm

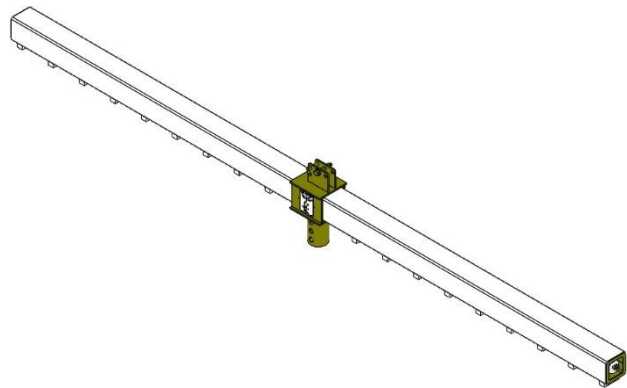
(Add Quantity Desired)

Includes dielectric testing and covers

QTY: \_\_\_ 8ft Cross Arm Horizontal Only (77134)

QTY: \_\_\_ 8ft Cross Arm Horizontal and Vertical (78855)

QTY: \_\_\_ 10ft Cross Arm Horizontal and Vertical (77303)



## 2 Choose your Slider

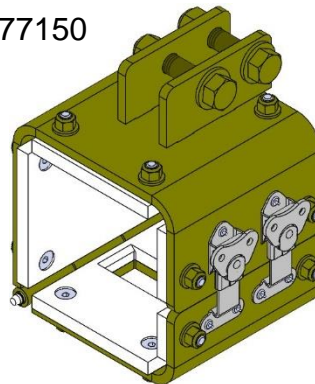
(Add Quantity Desired)

Requires 2 minimum per unit

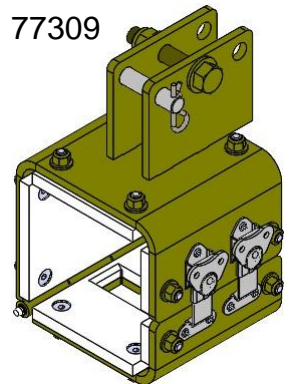
QTY: \_\_\_ Slider Horizontal Only (77150)

QTY: \_\_\_ Slider Horizontal and Vertical (77309)

77150



77309



## 3 Choose your Wire holder

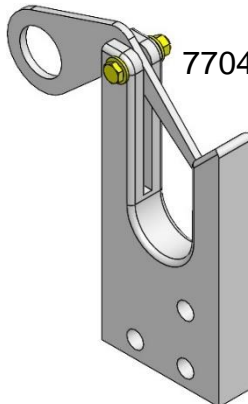
(Add Quantity Desired)

Requires 3 minimum per unit

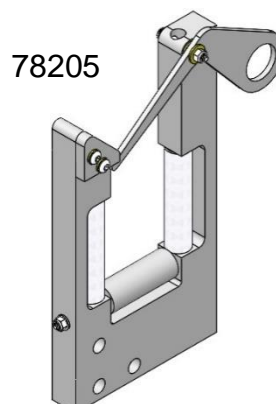
QTY: \_\_\_ Standard Wire Holder (77048)

QTY: \_\_\_ Roller Wire Holder (78205)

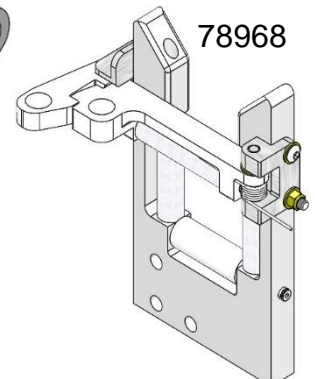
QTY: \_\_\_ Swing Gate Wire Holder (78968)



77048



78205



78968

**4**

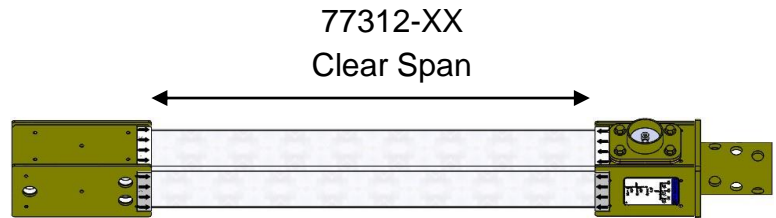
**Choose your Mast**

*(Add Quantity Desired)*

*Clear Span shown in parentheses  
Includes dielectric testing and covers*

QTY: \_\_\_ Square mast (12.25") (77312-01)

QTY: \_\_\_ Square Mast (31") (77312-02)



**Round Mast for Horizontal Use Only**

DUE TO VARIATIONS IN MATERIAL HANDLING JIBS,  
THE CLEAR SPAN IS ESTIMATED

*3" Round Mast Pin Size 11/16"*

QTY: \_\_\_ Round Mast (32.5) (78861)

QTY: \_\_\_ Round Mast (26.5) (78861-24)

QTY: \_\_\_ Round Mast (14.5) (78861-12)

*2.88" Round Mast Pin Size 1"*

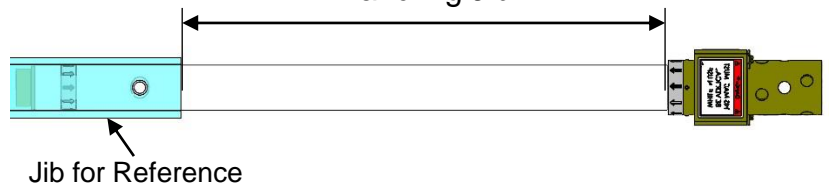
QTY: \_\_\_ Round Mast (32.5) (78863)

QTY: \_\_\_ Round Mast (26.5) (78863-24)

QTY: \_\_\_ Round Mast (14.5) (78863-12)

78861-XX /  
78863-XX

**Estimated Clear  
Span from Material  
Handling Jib**



**5**

**Adapter**

Required for Square mast  
*(Add Quantity Desired)*

—Crane / Bucket Truck—

—Information—

Make and Model:

\_\_\_\_\_

Serial #:

\_\_\_\_\_

Able to provide Load Charts?:

\_\_\_\_\_

Adapter # if in List

\_\_\_\_\_

**Must be able to provide pictures of  
boom tip / jib tip, serial number  
plate, and load chart.**

**Crane Adapters we have:**

QTY: \_\_\_ 77930-01 – Altec, D2000 / D3000 / D4000

QTY: \_\_\_ 77930-02 – Terex, C4000 / C5000 / General 65

QTY: \_\_\_ 77930-03 – Terex, C6060

QTY: \_\_\_ 77930-04 – Altec, DM47B B R

QTY: \_\_\_ 77930-05 – Altec, DM47B T R & DL45 T B

# 6

## Available Options

(Add Quantity Desired)

**\*Some Options might change capacity\***

QTY: \_\_\_ Storage Box (77797)

QTY: \_\_\_ Rotation Pin (73000-141)

QTY: \_\_\_ Wire Holder Rotation Pin

(69670-059)

QTY: \_\_\_ Wire Holder Rotation Hair Pin

(65201)

QTY: \_\_\_ Desiccant 5 LB Jug (30046-009)

Not Shown

QTY: \_\_\_ 8' Cross Arm Cover (77361-45)

(2 Used Per Cross Arm)

QTY: \_\_\_ 10' Cross Arm Cover (77361-57)

(2 Used Per Cross Arm)

QTY: \_\_\_ Mast Cover Square Mast 12.25"

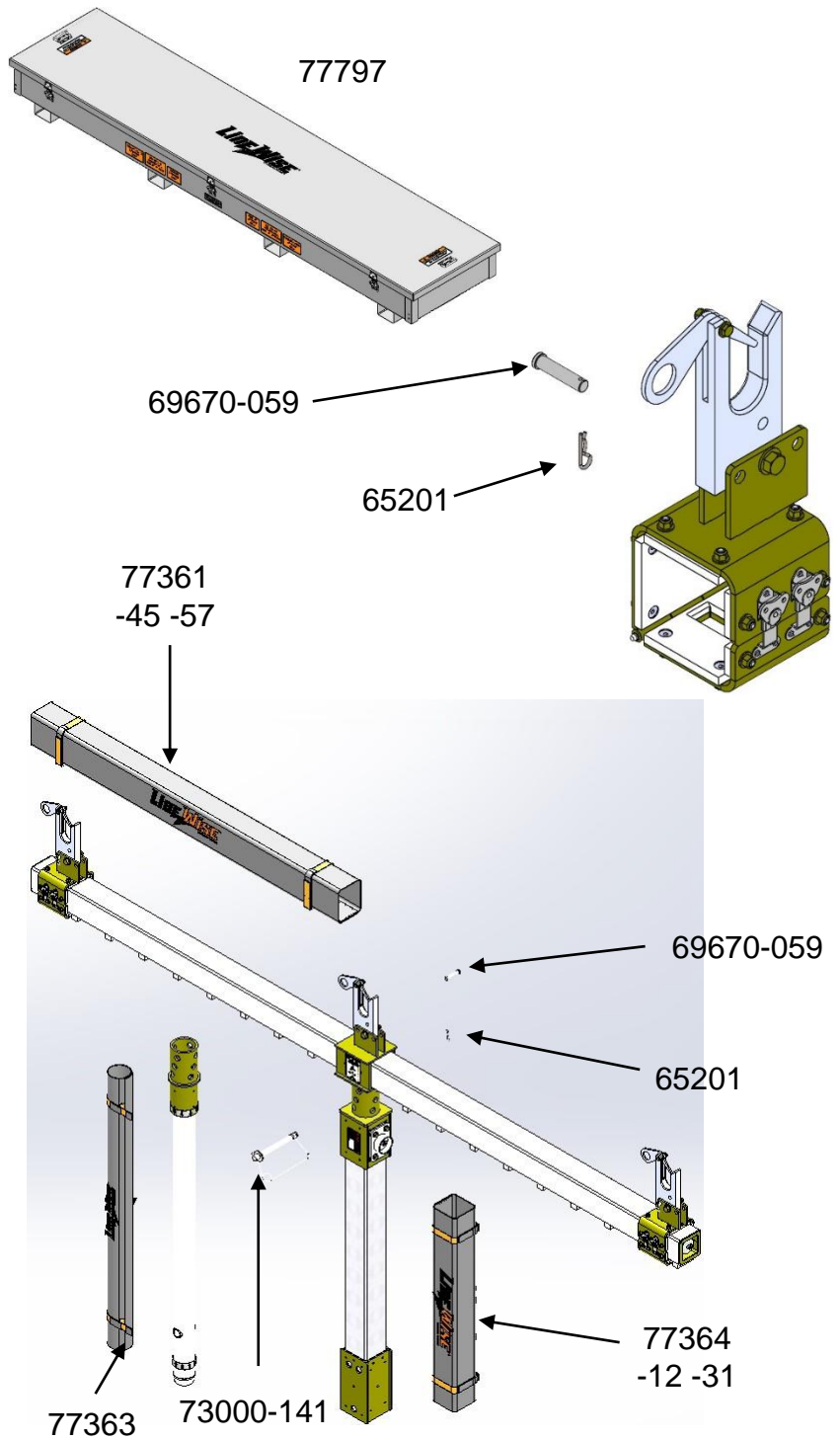
(77364-12)

QTY: \_\_\_ Mast Cover Square Mast 31"

(77364-31)

QTY: \_\_\_ Mast Cover fits 2.88" / 3" Round

Mast (77363)



PO#:

Signature:

# 7

## Additional Information/Questions

---



---



---