

# TLL-500A S3 ORDER FORM



Customer: \_\_\_\_\_

Contact Name: \_\_\_\_\_

E-mail: \_\_\_\_\_

Phone #: \_\_\_\_\_

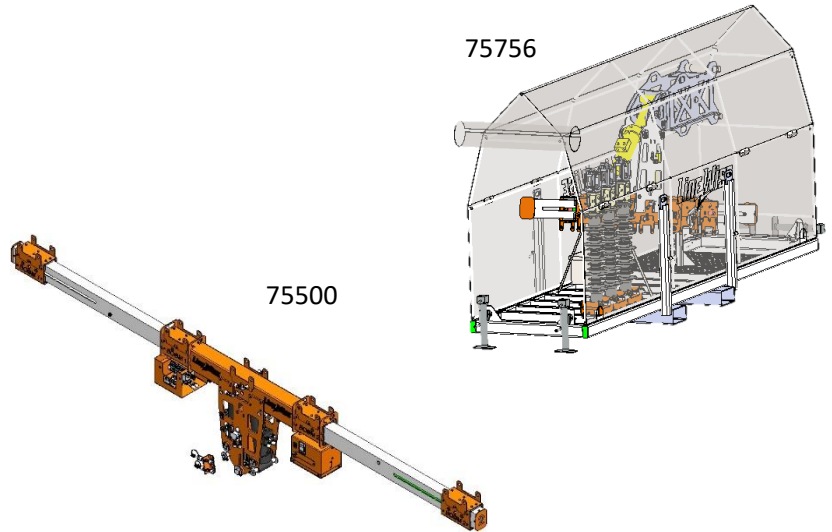
For any questions or concerns, please call (254)757-1177 and ask for our Sales Department or email [sales@linewise.com](mailto:sales@linewise.com)

**1**

## Base unit

Main Unit (75500)

Storage Skid (75756)



**2**

## Choose Adapter

(Included with Base Unit)

– Crane Information –

Crane Make and Model:

---

Crane Serial #:

---

Able to provide Load Charts?:

---

Adapter # if in List:

---

Must be able to provide pictures of boom tip, serial number plate, and load chart.

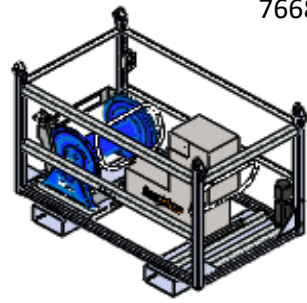
## Cranes Adapters we have:

- 75430 – Terex General 80
- 75470 – Terex General 65
- 75970 – Altec D4050
- 76670 – Terex C5000 Boom or Turret Mounted Winch
- 76907 – Skytrak 8042
- 78180 – Elliott D86 / D105 / D115
- 78815 – Elliott 40142
- 79184 – Altec ac 38127

# 3

## Choose HPU

- Gas HPU (76683)  
( Included with base unit)



76683

# 4

## Choose Insulators

(Each Unit requires a set of 3 insulators.  
Capacity will vary.)

Clear span is shown in parentheses  
Includes dielectric testing and covers

### Polymer Insulator with Standard Wire Holder

- 69 kV (78916-69)
- 34.5 kV (78916-35)

### Sealed Fiberglass Insulator with Standard Wire Holder

- 69 kV (40.125") (78918-69)
- 34.5 kV (31.125") (78918-35)

### Polymer Insulator with SGWH

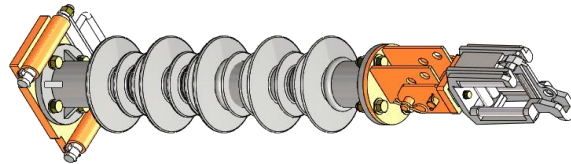
- 69 kV (78917-69)
- 34.5 kV (78917-35)

### Sealed Fiberglass Insulator with SGWH

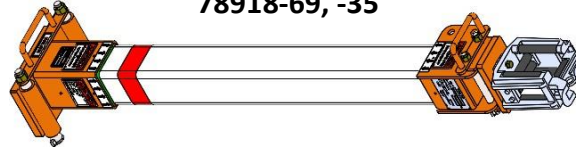
- 69 kV (40.125") (78919-69)
- 34.5 kV (31.125") (78919-35)

## Standard Wire Holder

78916-69, -35

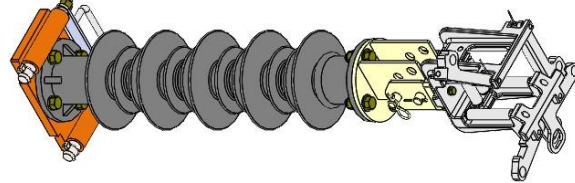


78918-69, -35

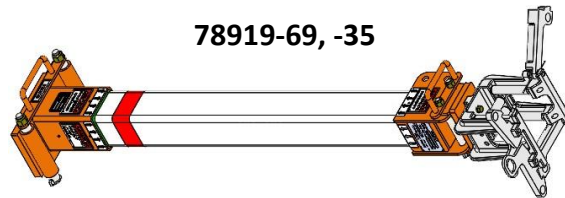


## Swing Gate Wire Holder (SGWH)

78917-69, -35



78919-69, -35



**\*\* Prices Subject to Change\*\***

# 5

## Additional Info/Questions

---



---



---

# 6 Available Options

(Add Quantity Desired)

**\*Some Options Might Change Capacity\***

## - Extra Insulator Package -

- QTY: \_\_ 34.5kV Polymer (78912-35)
- QTY: \_\_ 34.5kV Sealed Fiberglass (78914-35)
- QTY: \_\_ 69kV Polymer (78912-69)
- QTY: \_\_ 69kV Sealed Fiberglass (78914-69)

## - Extra SGWH Insulator Package -

- QTY: \_\_ 34.5kV Polymer (78913-35)
- QTY: \_\_ 34.5kV Sealed Fiberglass (78915-35)
- QTY: \_\_ 69kV Polymer (78913-69)
- QTY: \_\_ 69kV Sealed Fiberglass (78915-69)

## - Insulator with Hardware -

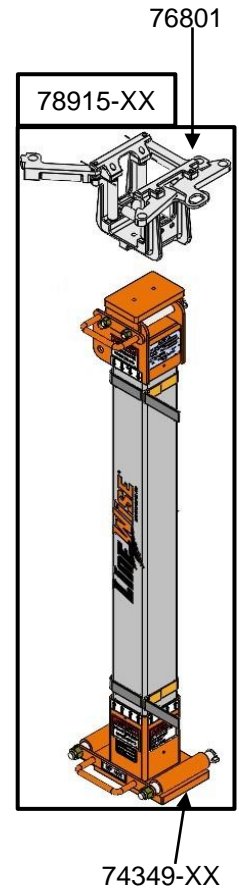
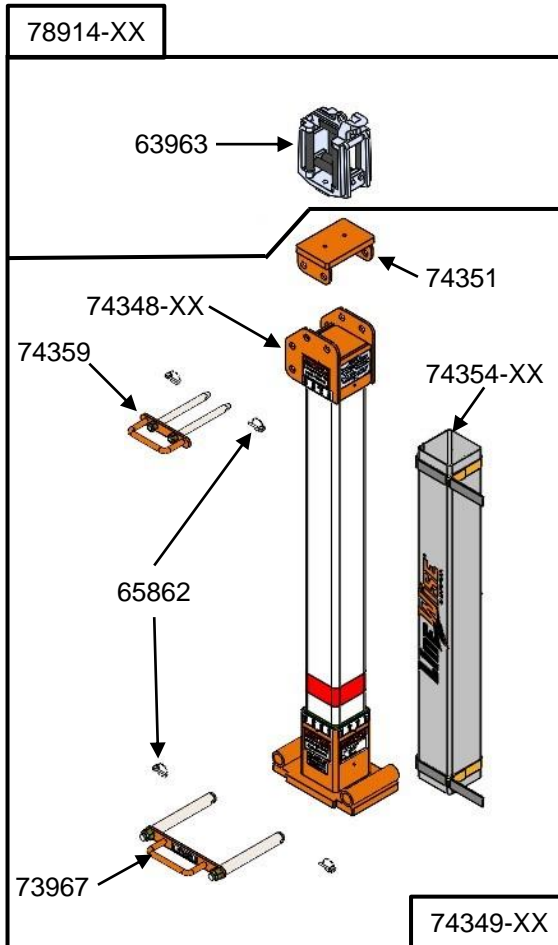
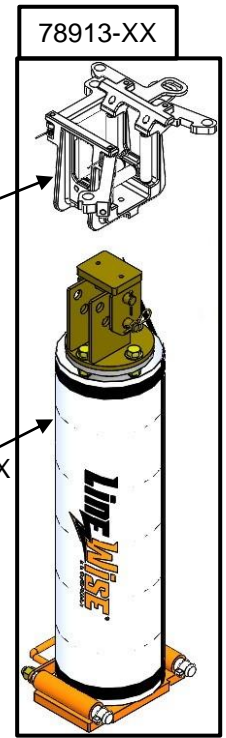
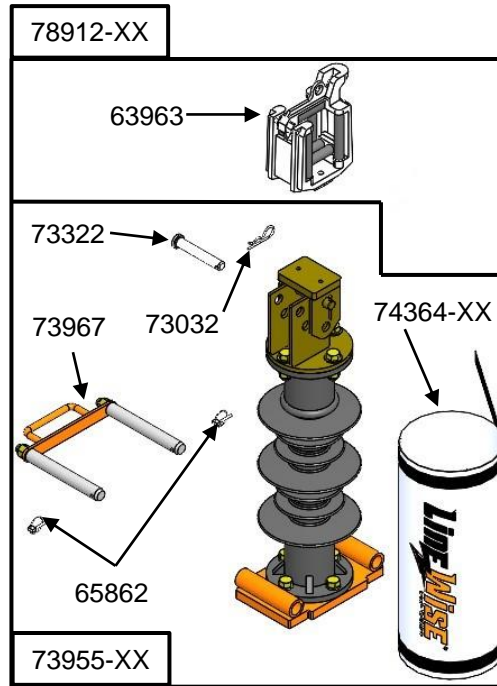
- QTY: \_\_ 34.5kV Polymer (73955-35)
- QTY: \_\_ 34.5kV Sealed Fiberglass (74349-35)
- QTY: \_\_ 69kV Polymer (73955-34)
- QTY: \_\_ 69kV Sealed Fiberglass (74349-69)

## - Extra Insulator Covers -

- QTY: \_\_ 34.5kV Polymer Cover (74364-34)
- QTY: \_\_ 69kV Polymer Cover (74364-69)
- QTY: \_\_ 34.5kV Fiberglass Cover (74354-35)
- QTY: \_\_ 69kV Fiberglass Cover (74354-69)

## - Components -

- QTY: \_\_ Standard Wire Holder (63963)
- QTY: \_\_ Linch Pin (65862)
- QTY: \_\_ Hair Pin (73032)
- QTY: \_\_ Rotation Pin (73322)
- QTY: \_\_ Double Pin for Insulator (73967)
- QTY: \_\_ 34.5kV Fiberglass Insulator (74348-35)
- QTY: \_\_ 69kV Fiberglass Insulator (74348-69)
- QTY: \_\_ W/H Base Plate (74351)
- QTY: \_\_ Double Pin for W/H (74359)
- QTY: \_\_ Swing Gate Wire Holder (76801)



**\*\* Prices Subject to Change \*\***

# 6

## Available Options

Continued from Page 3

QTY:\_\_\_ *Pivoting Static Arm (74389)*  
*(Horizontal Builds Only, Requires Fiberglass Insulator 74348-XX and Cover 74354-XX)*

QTY:\_\_\_ *18" Insulator Extension (77331)*

QTY:\_\_\_ *36" Insulator Extension (77338)*

QTY:\_\_\_ *Solar Charger Kit (75100)*  
*(One included with unit produced after 03/2023. Older units can be retrofitted.)*

QTY:\_\_\_ *Desiccant (30046-009) (5 LB Jug)*  
*(Fiberglass Insulator Only) Not Shown*

QTY:\_\_\_ *Extra Remote (75589-01) Not Shown*

QTY:\_\_\_ *Hydraulic Fitting Cap (75283) Not Shown*

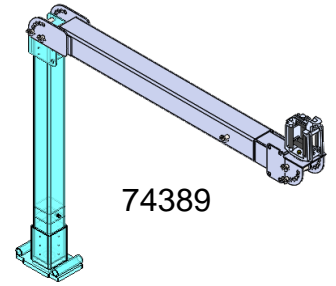
QTY:\_\_\_ *Hydraulic Fitting Plug (75284) Not Shown*

**PO #:**

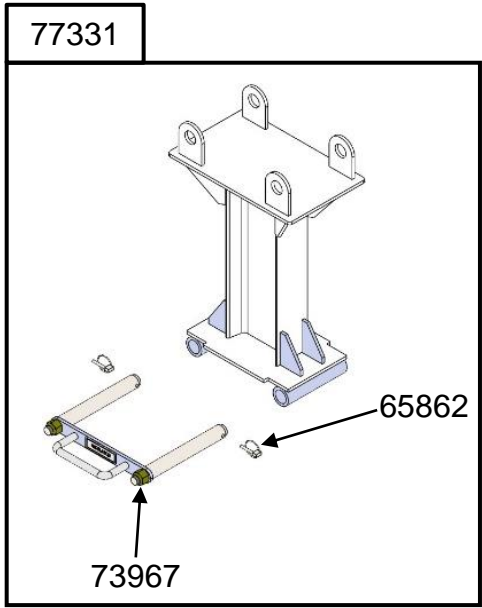
\_\_\_\_\_

**Signature:**

\_\_\_\_\_



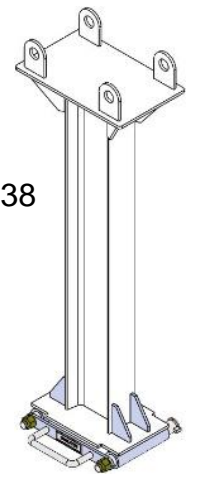
74389



77331



75100



77338