

TLL-500A S1 ORDER FORM



Customer: _____

Contact Name: _____

E-mail: _____

Phone #: _____

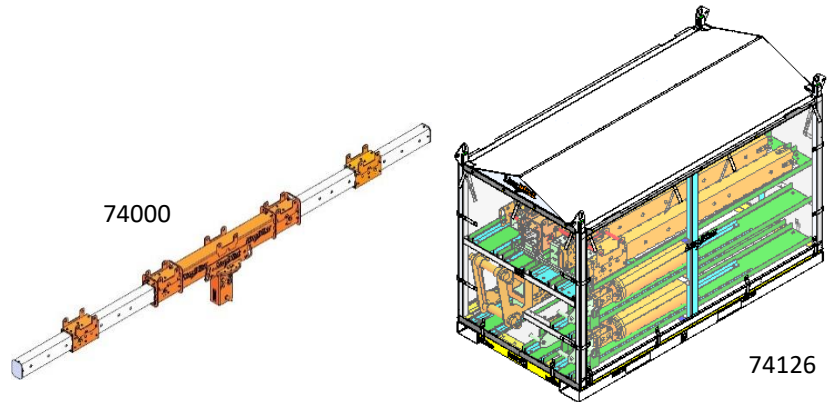
For any question or concerns, please call (254) 757-1177 and ask for our Sales Department or email sales@linewise.com

1

Base Unit

Main Unit (74000)

Storage Rack (74126)



2

Choose Adapter

(Included with Base Unit)

– Crane Information –

Crane Make and Model:

Crane Serial #:

Able to provide Load Charts?:

Adapter # if in List

Crane Adapters we have:

- 74095 – Terex General 65
- 74097 – Terex General 80
- 74446 – Altec D2000, D3000, D4000, DH-48
- 74585 – Altec DC47 TR
- 74603 – Terex C6060
- 78621 – Maeda CC1908S-1
- 78645 – Altec AC23-95-PG

Must be able to provide pictures of boom tip, serial number plate, and load chart

3

Choose Insulators

(Each Unit comes with 3.
Capacity will vary)

Clear span shown in parentheses
Includes dielectric testing and covers

Polymer Insulator with Standard Wire Holder

- 69 / 72 kV (78916-69)
- 34.5 kV (78916-35)

Sealed Fiberglass Insulator with Standard Wire Holder

- 69 / 72 kV (40.125") (78918-69)
- 34.5 kV (31.125") (78918-35)

Polymer Insulator with SGWH

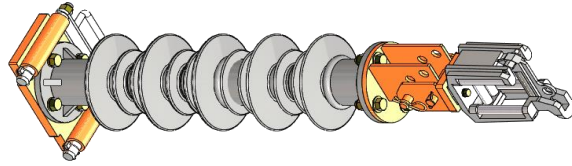
- 69 / 72 kV (78917-69)
- 34.5 kV (78917-35)

Sealed Fiberglass Insulator with SGWH

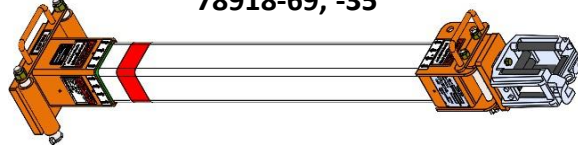
- 69 / 72 kV (40.125") (78919-69)
- 34.5 kV (31.125") (78919-35)

Standard Wire Holder

78916-69, -35

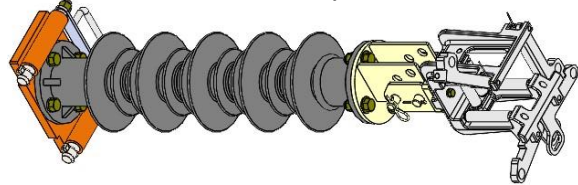


78918-69, -35

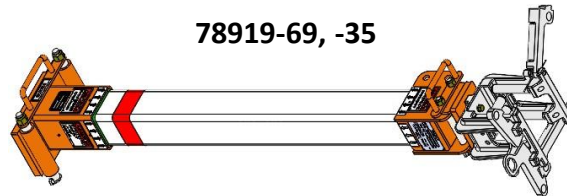


Swing Gate Wire Holder (SGWH)

78917-69, -35



78919-69, -35



** Prices Subject to Change **

4

Additional Info/Questions

5 Available Options

(Add Quantity Desired)

Some Options Might Change Capacity

- Extra Insulator Package -

- QTY: __ 34.5kV Polymer (78912-35)
- QTY: __ 34.5kV Sealed Fiberglass (78914-35)
- QTY: __ 69kV Polymer (78912-69)
- QTY: __ 69kV Sealed Fiberglass (78914-69)

- Extra SGWH Insulator Package -

- QTY: __ 34.5kV Polymer (78913-35)
- QTY: __ 34.5kV Sealed Fiberglass (78915-35)
- QTY: __ 69kV Polymer (78913-69)
- QTY: __ 69kV Sealed Fiberglass (78915-69)

- Insulator with Hardware -

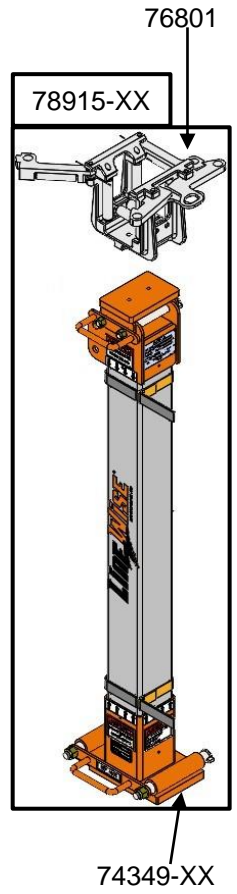
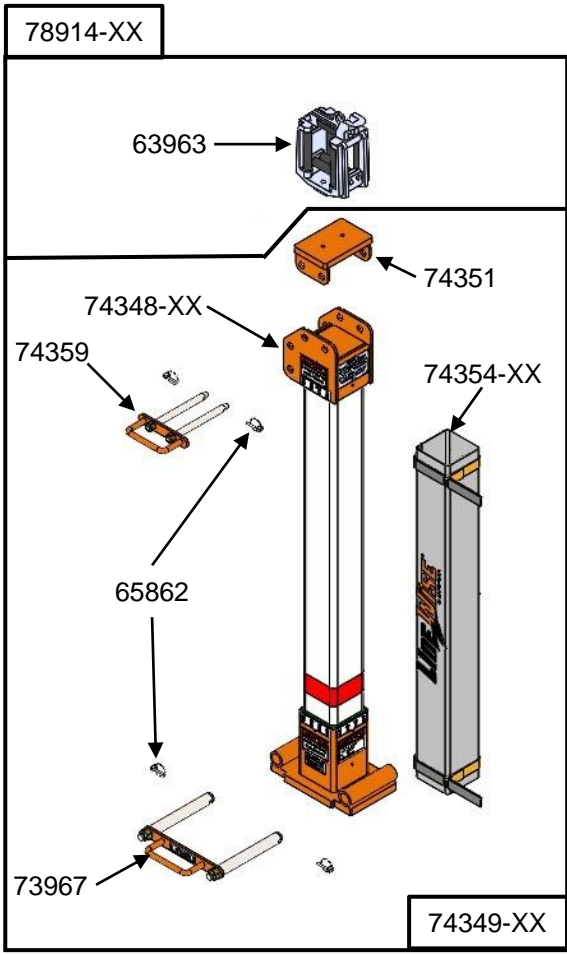
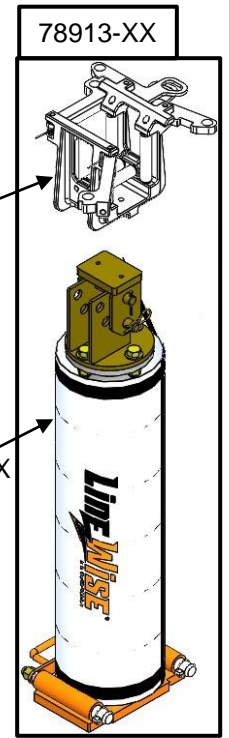
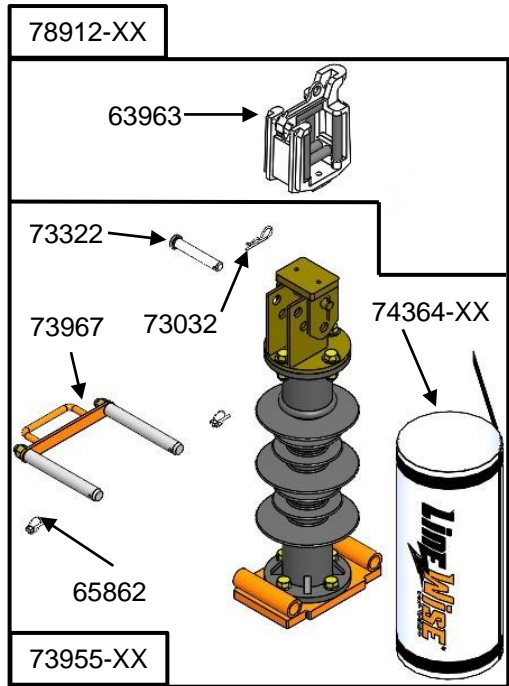
- QTY: __ 34.5kV Polymer (73955-35)
- QTY: __ 34.5kV Sealed Fiberglass (74349-35)
- QTY: __ 69kV Polymer (73955-69)
- QTY: __ 69kV Sealed Fiberglass (74349-69)

- Extra Insulator Covers -

- QTY: __ 34.5kV Polymer Cover (74364-34)
- QTY: __ 69kV Polymer Cover (74364-69)
- QTY: __ 34.5kV Fiberglass Cover (74354-35)
- QTY: __ 69kV Fiberglass Cover (74354-69)

- Components -

- QTY: __ Standard Wire Holder (63963)
- QTY: __ Linch Pin (65862)
- QTY: __ Hair Pin (73032)
- QTY: __ Rotation Pin (73322)
- QTY: __ Double Pin for Insulator (73967)
- QTY: __ 34.5kV Fiberglass Insulator (74348-35)
- QTY: __ 69kV Fiberglass Insulator (74348-69)
- QTY: __ W/H Base Plate (74351)
- QTY: __ Double Pin for W/H (74359)
- QTY: __ Swing Gate Wire Holder (76801)



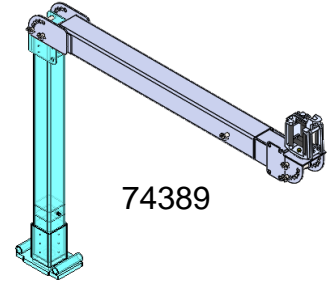
**** Prices Subject to Change ****

p. 3 Rev 12/15/22

5 Available Options

Continued from Page 3

QTY:___ Pivoting Static Arm (74389)
 (Horizontal Builds Only, Requires
 Fiberglass Insulator 74348)

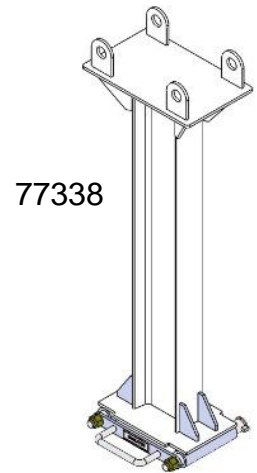
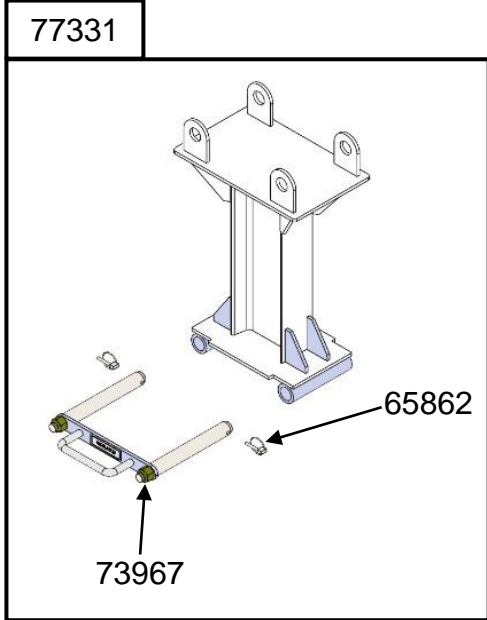


QTY:___ 18" Insulator Extension (77331)

QTY:___ 36" Insulator Extension (77338)

QTY:___ Desiccant (30046-009) (5 LB Jug)
 (Fiberglass Insulator Only) Not Shown

QTY:___ Extra Pins for Sliders (74517)
 Not Shown



- Extra Pins for Body -

QTY:___ Arm Pin (74517)

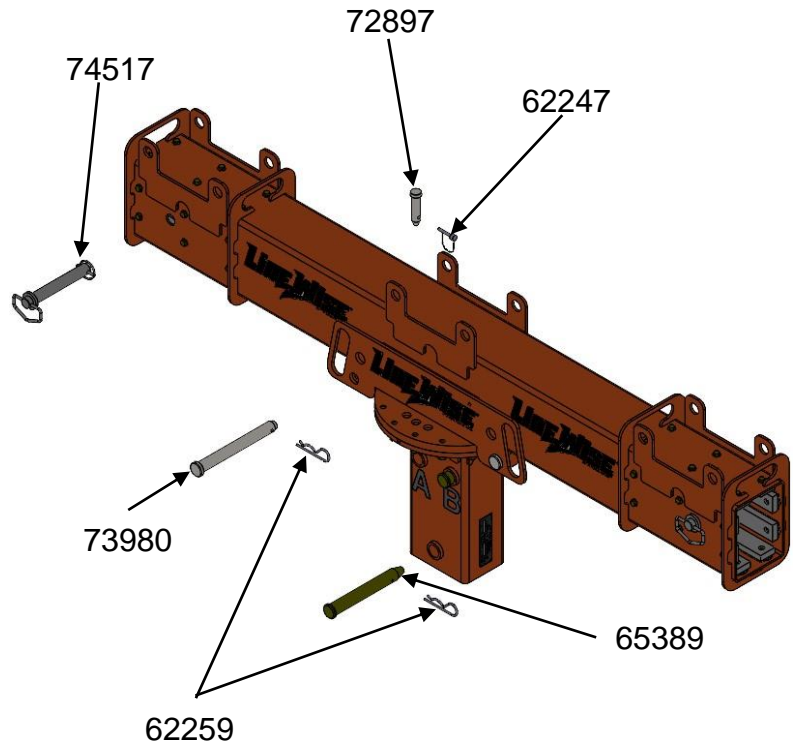
QTY:___ Body to Mast Pin (73980)

QTY:___ Hair Pin (62259)

QTY:___ Mast Pivot Pin (65389)

QTY:___ Mast Rotation Pin (72897)

QTY:___ Safety Pin (62247)



PO #:

Signature:
