

TLL-2500 ORDER FORM



Customer: _____
Contact Name: _____
E-mail: _____
Phone #: _____

For any questions or concerns, please call (254) 757-1177 and ask for our Sales Department or email sales@line-wise.com

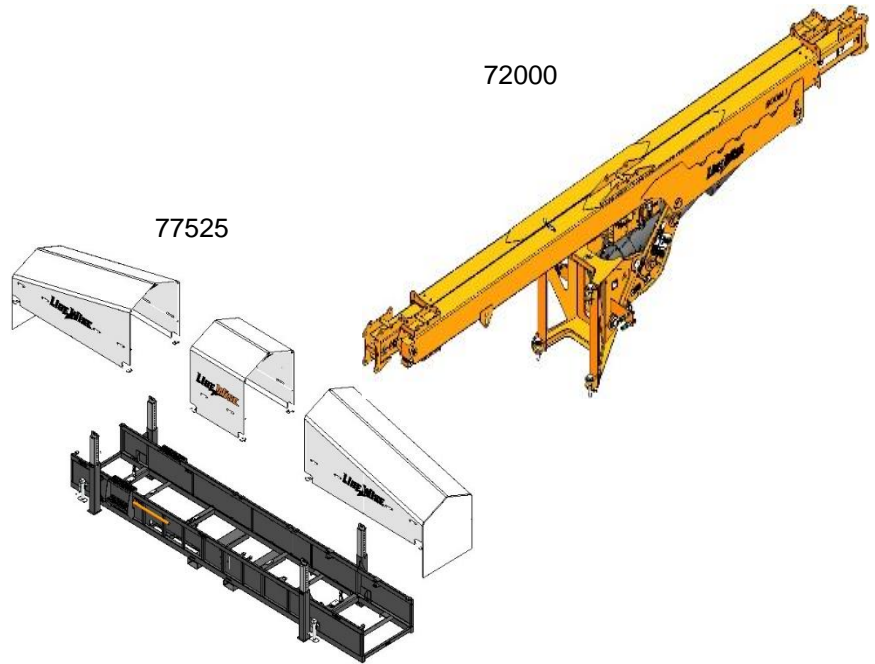
1

Base Unit

Main Unit (72000)

Skid Assembly with Cover (77525)

(Skid does not include insulator storage)
(See page 4 for insulator storage options)



2

Adapter

(included with base unit)

—Crane Information—

Crane Make and Model:

Crane Serial #:

Able to provide Crane Load Charts?:

Adapter # if in List

Must be able to provide pictures of boom tip, serial number plate, and load chart.

Crane Adapters we have:

72030-01 – Grove, TMS 800E

72030-02 – Manitex, 50155S (Limited Capacity)

72030-03 – Mantis, 10100MX

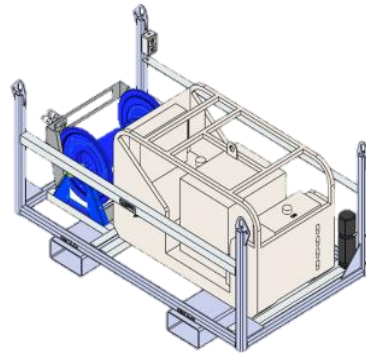
72030-04 – Terex / Demag AC-60-3

72030-05 – Grove, GMK5165-2

3

Choose HPU

- Gas HPU (72505) (Included with base unit)



72505

4

Choose Insulators

(each Unit requires a set of insulators. Capacity will vary.)

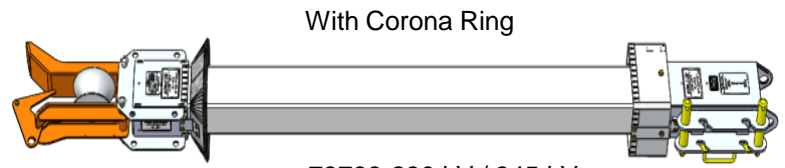
Clear span shown in parentheses
Includes dielectric testing and covers

78798 with standard wire holder

- 230 kV Sealed Fiberglass set of 3 (73 1/8")
78798-230
- 345 kV Sealed Fiberglass set of 2 (120 1/8")
78798-345
- 345 kV Sealed Fiberglass set of 3 (120 1/8")
78798-345-3

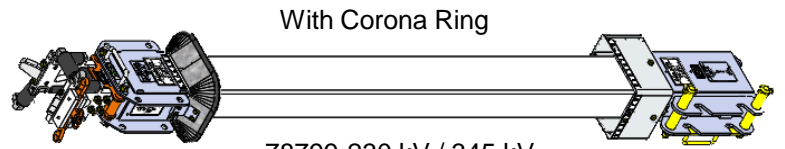
78799 with optional SGWH

- 230 kV Sealed Fiberglass set of 3 (73 1/8")
78799-230
- 345 kV Sealed Fiberglass set of 2 (120 1/8")
78799-345
- 345 kV Sealed Fiberglass set of 3 (120 1/8")
78799-345-3



With Corona Ring

78798-230 kV / 345 kV



With Corona Ring

78799-230 kV / 345 kV

5

Additional Information/Questions

6

Available Options

(Add Quantity Desired)

Some Options might change capacity

—Extra Insulator Package—

QTY: ___ 230 kV Insulator Package (72040)

QTY: ___ 345 kV Insulator Package (74145)

—Extra SGWH Insulator Package—

QTY: ___ 230 kV Insulator Package (78806-230)

QTY: ___ 345 kV Insulator Package (78806-345)

— Insulator with Hardware—

QTY: ___ 230 kV Insulator with Hardware (72440)

QTY: ___ 345 kV Insulator with Hardware (74146)

— Insulator Covers—

QTY: ___ 230 kV Insulator Cover (72210)

QTY: ___ 345 kV Insulator Cover (74174)

— Components—

QTY: ___ Standard Wire Holder (72570)

QTY: ___ Swing Gate Wire Holder (75300)

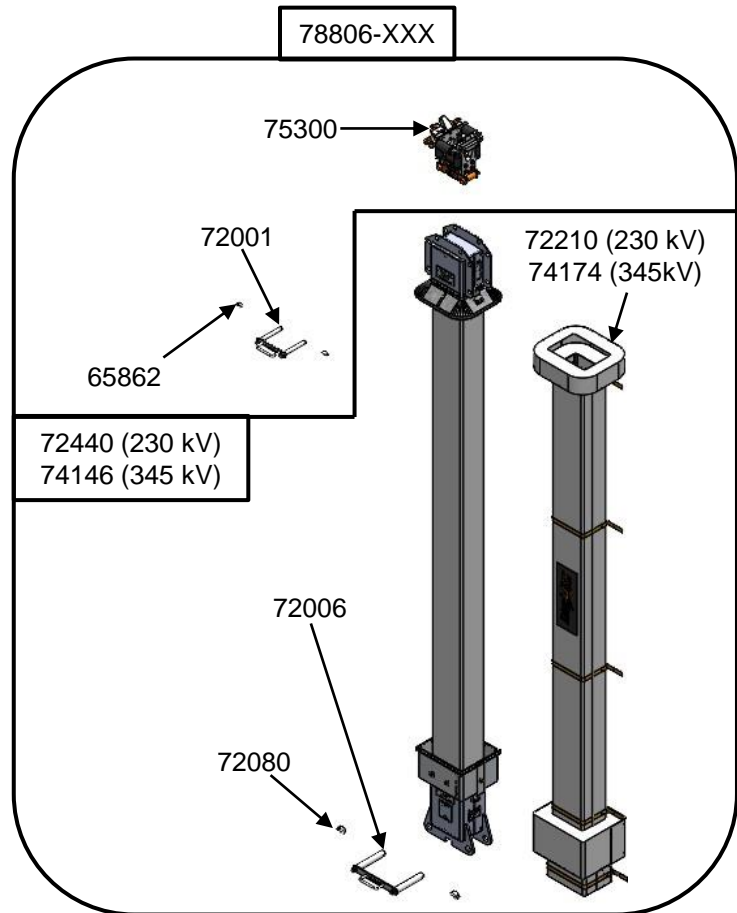
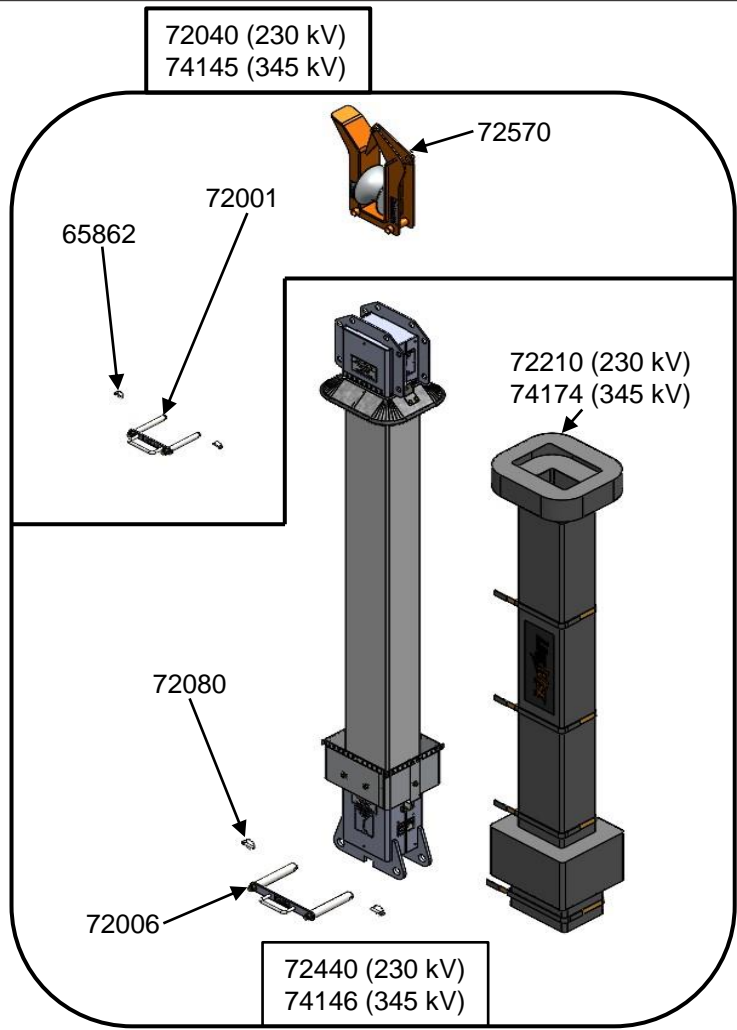
QTY: ___ Wire Holder Double Pin (72001)

QTY: ___ Insulator Double Pin Assy (72006)

QTY: ___ Linch Pin (65862)

QTY: ___ Linch Pin (72080)

Continued on Next Page



6 Available Options

(Add Quantity Desired)

Some Options might change capacity

QTY: ___ Insulator Storage Skid 230 kV (77530)
(Stores inside of unit skid 77525)

QTY: ___ Insulator Storage Skid 345 kV (72200)
Skid does not store inside of skid 77525)

QTY: ___ Vertical Bundle Lifter (75177)
(16.25" Spacing)

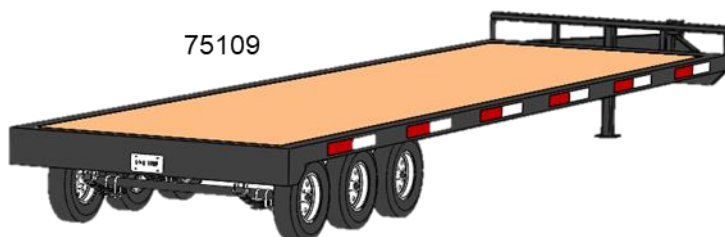
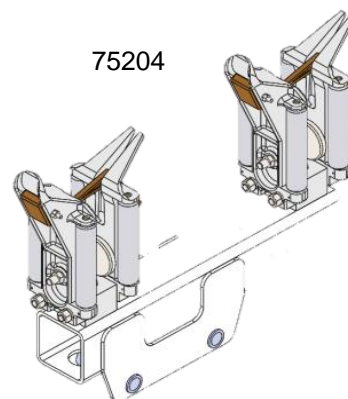
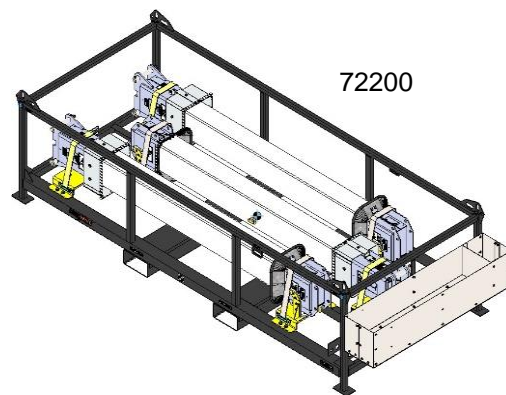
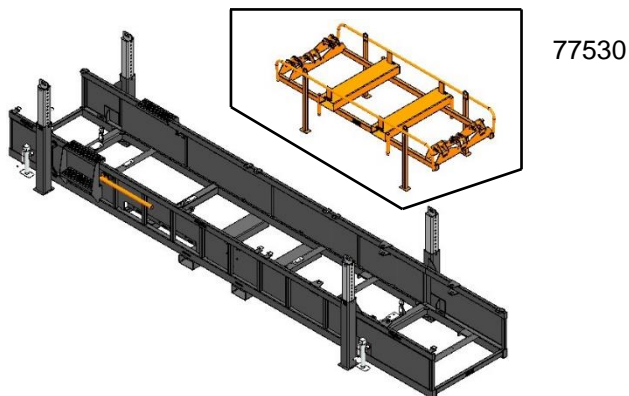
QTY: ___ Horizontal Bundle Lifter (75204)
(18.00" Spacing)

QTY: ___ Additional Solar Charger Kit (75100)
(One included with unit produced after 03/2023.
Older units can be retrofitted.)

QTY: ___ Extra Remote (74692-01) Not Shown

QTY: ___ Desiccant (30046-009) (5 LB jug)
Not Shown

QTY: ___ Trailer: 32' X 102" (GVWR 21K)
(75109)



PO #:

Signature:
