

# TLL-2000 S3 ORDER FORM



Customer: \_\_\_\_\_  
Contact Name: \_\_\_\_\_  
E-mail: \_\_\_\_\_  
Phone #: \_\_\_\_\_

For any questions or concerns, please call (254) 757-1177 and ask for our Sales Department or email [sales@line-wise.com](mailto:sales@line-wise.com)

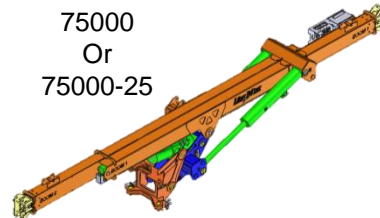
**1**

## Base Unit

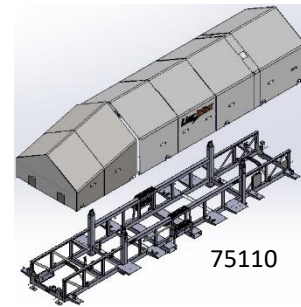
Cover Assembly (78120)  
Skid Assembly (75110)  
Unit (75000)

Or

Cover Assembly (78120-25)  
Skid Assembly (75110)  
Unit (75000-25)



75000  
Or  
75000-25



78120  
Or  
78120-25

75110

**2**

## Adapter

(included with base unit)

—Crane Information—

Crane Make and Model:

Crane Serial #:

Able to provide Crane Load Charts?:

Adapter # if in List

**Must be able to provide pictures of boom tip, serial number plate, and load chart.**

### Crane Adapters we have:

75030-01 – Manitex, 50155

75030-02 – Grove, GMK4115

75030-06 – National, NBT55-128 (1550 lb. per phase)

75030-08 – Link Belt, TCC750

75030-09 – Manitex, TC65129 (requires 75000-25)

75030-10 – Link Belt, HTC8690 (requires 75000-25)

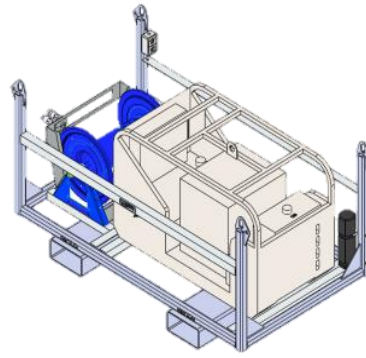
75030-11 – National, NBT / NTC 50L / 55L / 60L / 60XL

75030-12 – Load King, 50-155

### 3

## Choose HPU

- Gas HPU (72505) (Included with base unit)



72505

### 4

## Choose Insulators

(each Unit requires a set of insulators. Capacity will vary.)

Clear span shown in parentheses

Includes dielectric testing and covers

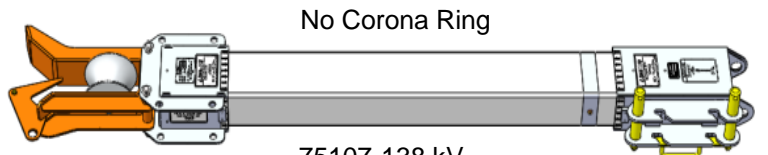
### 75107 with standard wire holder

- 138 kV Sealed Fiberglass set of 3 (47 1/8")  
**75107-138**
- 230 kV Sealed Fiberglass set of 3 (75 1/2")  
**75107-230**
- 345 kV Sealed Fiberglass set of 2 (130 3/4")  
**75107-345**

### 76926 with optional SGWH

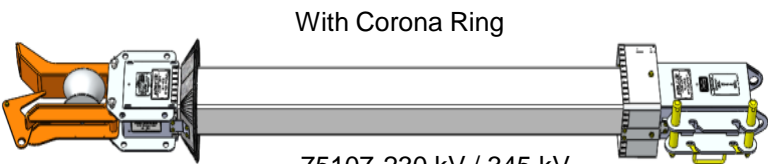
- 138 kV Sealed Fiberglass set of 3 (47 1/8")  
**76926-138**
- 230 kV Sealed Fiberglass set of 3 (75 1/2")  
**76926-230**
- 345 kV Sealed Fiberglass set of 2 (130 3/4")  
**76926-345**

(skid stores up to 4 of 138kV, 230kV insulators or 2 of 345kV insulators)



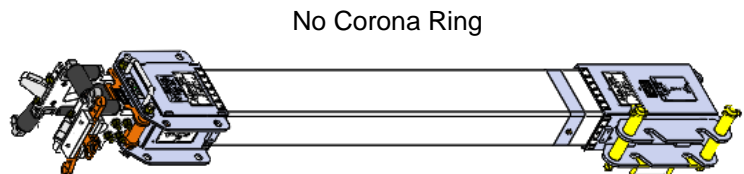
No Corona Ring

75107-138 kV



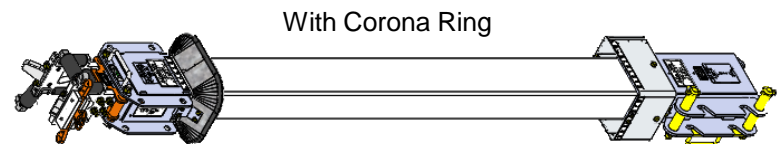
With Corona Ring

75107-230 kV / 345 kV



No Corona Ring

76926-138 kV



With Corona Ring

76926-230 kV / 345 kV

### 5

## Additional Information/Questions

---



---

# 6

## Available Options

(Add Quantity Desired)

**\*Some Options might change capacity\***

### —Extra Insulator Package—

QTY: \_\_\_ 138 kV Insulator Package (75040-138)

QTY: \_\_\_ 230 kV Insulator Package (75040-230)

QTY: \_\_\_ 345 kV Insulator Package (75040-345)

### —Extra SGWH Insulator Package—

QTY: \_\_\_ 138 kV Insulator Package (75108-138)

QTY: \_\_\_ 230 kV Insulator Package (75108-230)

QTY: \_\_\_ 345 kV Insulator Package (75108-345)

### — Insulator with Hardware—

QTY: \_\_\_ 138 kV Insulator with Hardware (75440-138)

QTY: \_\_\_ 230 kV Insulator with Hardware (75440-230)

QTY: \_\_\_ 345 kV Insulator with Hardware (75440-345)

### — Insulator Covers—

QTY: \_\_\_ 138 kV Insulator Cover (75106-138)

QTY: \_\_\_ 230 kV Insulator Cover (75106-230)

QTY: \_\_\_ 345 kV Insulator Cover (75106-345)

### — Components—

QTY: \_\_\_ Standard Wire Holder (72570)

QTY: \_\_\_ Swing Gate Wire Holder (75300)

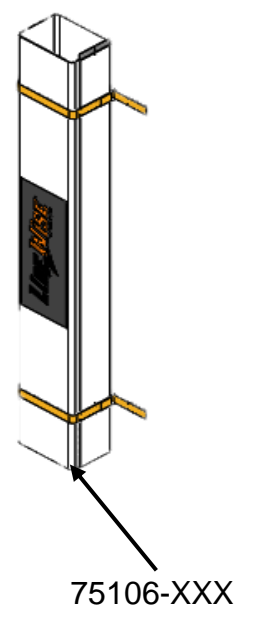
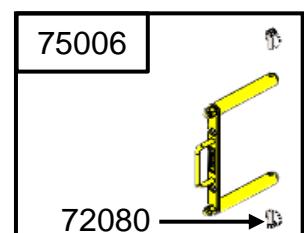
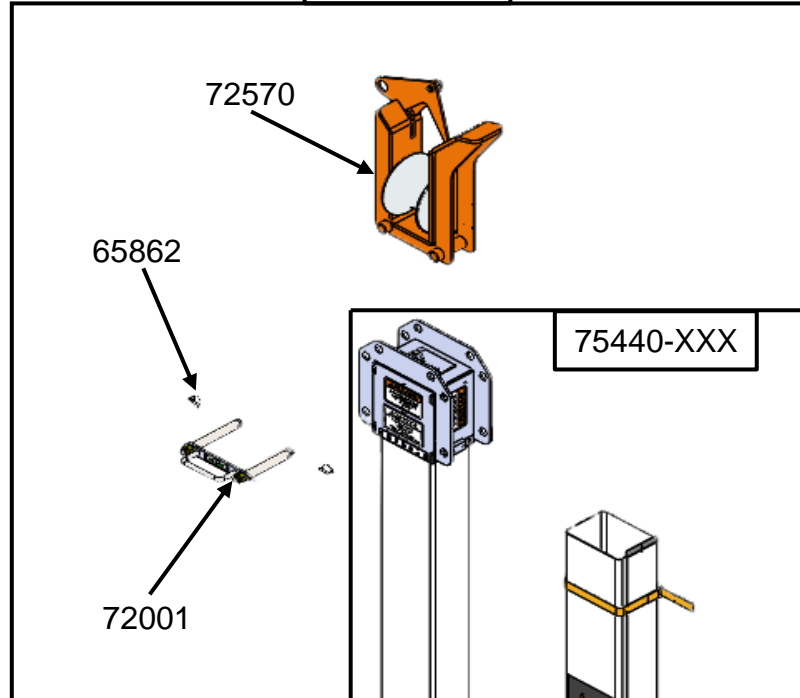
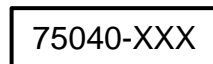
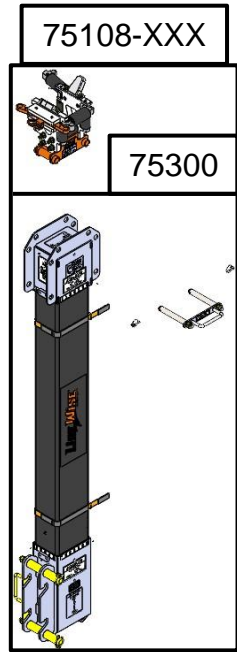
QTY: \_\_\_ Wire Holder Double Pin (72001)

QTY: \_\_\_ Insulator Double Pin Assy (75006)

QTY: \_\_\_ Linch Pin (65862)

QTY: \_\_\_ Linch Pin (72080)

**Continued on Next Page**



# 6 Available Options

(Add Quantity Desired)

**\*Some Options might change capacity\***

QTY: \_\_\_ Adjustable Static Arm Kit (76947)  
Comes with 115 kV insulator

QTY: \_\_\_ Vertical Bundle Lifter (75177)  
(16.25" Spacing)

QTY: \_\_\_ Horizontal Bundle Lifter (75204)  
(18.00" Spacing)

QTY: \_\_\_ Solar Charger Kit (75100)  
(One included with unit produced after 03/2023.  
Older units can be retrofitted.)

QTY: \_\_\_ Extra Remote (74692-01) Not Shown

QTY: \_\_\_ Desiccant (30046-009) (5 LB jug) Not Shown

QTY: \_\_\_ Trailer: 32' X 102" (GVWR 21K)  
(75109)

QTY: \_\_\_ Insulator Storage Container  
(75147-XXX) Will Store up to 3 Insulators See  
Engineering for configuration

## —Delta Configuration—

QTY: \_\_\_ 138 kV Delta kit (75640-138)

QTY: \_\_\_ 230 kV Delta kit (75640-230)

**PO #:**

---

**Signature:**

---

