

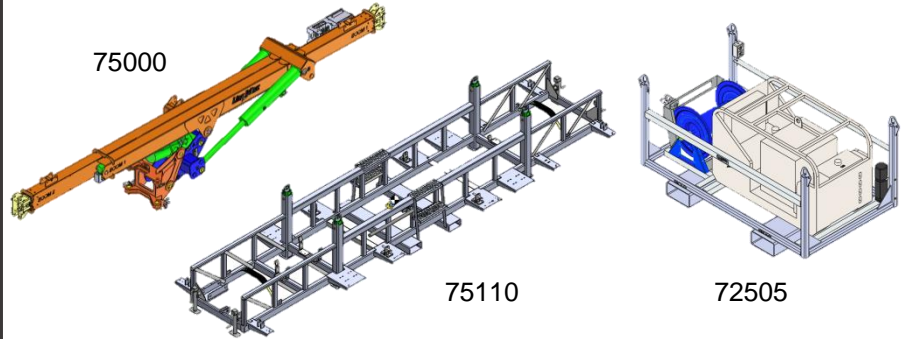
Customer: _____ Contact Name: _____
 E-mail: _____ Phone #: _____
 PO #: _____

For any questions or concerns, please call (254) 757-1177 and ask for our Sales Department or email sales@line-wise.com

1 Start with the base unit (75000)

(75110 – Carrier Skid)

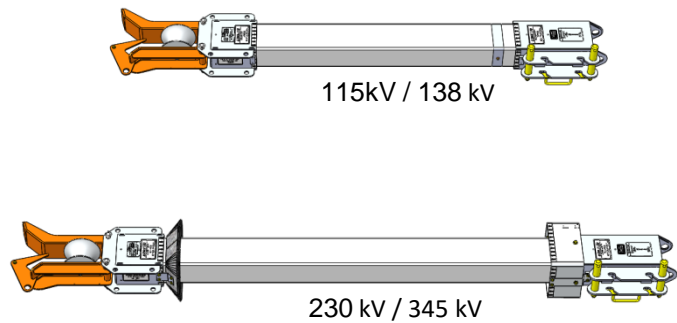
(72505 – Gas HPU)



2 Choose Insulators

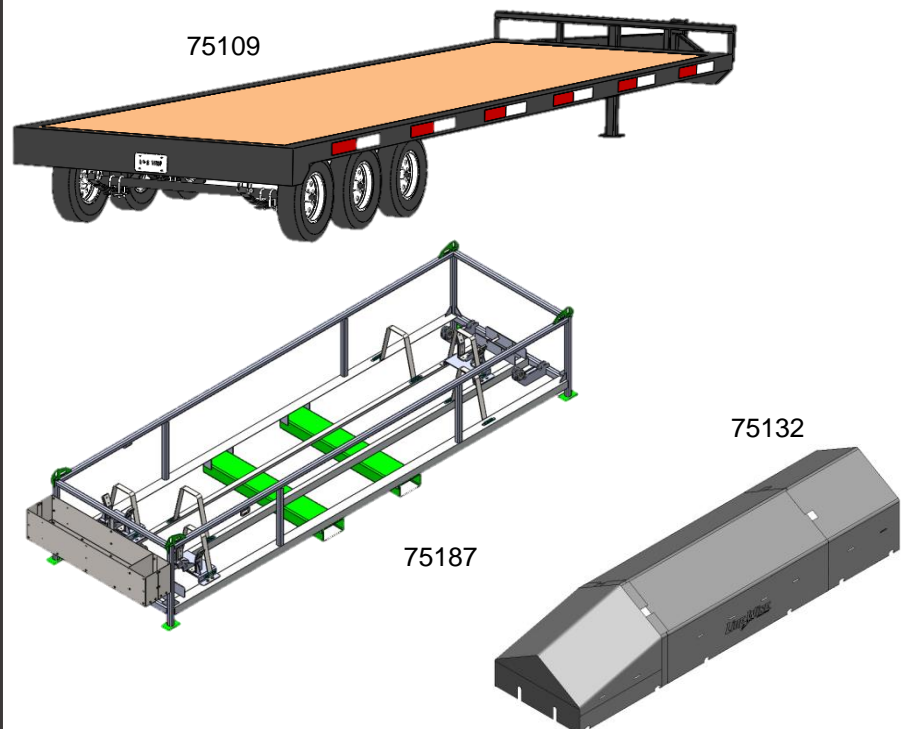
(Capacity will vary. 75107-XXX)
 Clearspan shown in parenthesis

- 115 kV Sealed Fiberglass (40 3/8")
 - 138 kV Sealed Fiberglass (47 1/8")
 - 230 kV Sealed Fiberglass (75 1/2")
 - 345 kV Sealed Fiberglass (130 3/4")
- (skid stores up to 4 of 115kV, 138kV, 235kV insulators or 2 of 345kV insulators)



3 Available Storage Options

- Trailer: 32' x 102" (GVWR 21K)
- Insulator Storage Container (75187)
(Need for extra Insulators)
- 75000 Skid Cover (75132)
(90 day lead time extension)

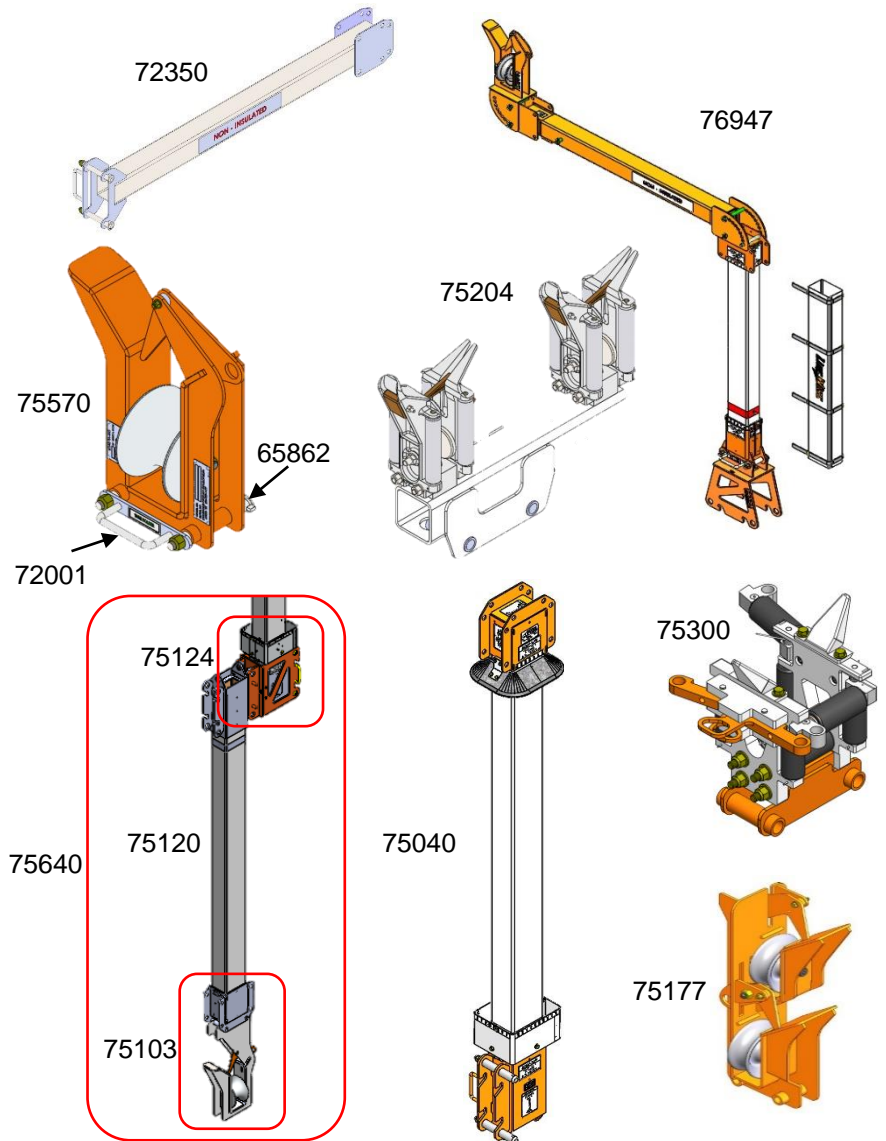


4

Available Tool Options

(Check all that apply)
*Changes capacity

- 3.5' Static Extender (72350-042)
- 5' Static Extender (72350-060)
- Adjustable Static Arm (76947)
- Delta Configuration (75640)
 - Delta Wire Holder (75103)
 - Delta Insulator (75120)
 - Delta Saddle (75124)
- Vertical Bundle Lifter (75177)
(16.25" spacing)
- Horizontal Bundle Lifter (75204)
- Swing Gate Wire Holder (75300)
- 75570 (Wire Holder)
 - 72001 (Double Pin)
 - 65862 (Linch Pin) QTY: _____
- Extra Insulator (75040)
(QTY: ___ and _____ kV)
(QTY: ___ and _____ kV)
- Extra Remote (74692-01)



5

Crane Info

Crane Make and Model:

Crane Serial #:

Able to provide Crane Load Charts?:

Crane Adapters we have:

- 75030-01 – Manitex, 50155
- 75030-02 – Grove, GMK4115
- 75030-03 – Manitex, 40127 / 45127 / 40142 / 45142
- 75030-04 – Manitex, 40124S
- 75030-05 – Altec, AC 40-152
- 75030-06 – National, NBT55-128 / NBT50-128 / NBT45-161
- 70030-07 – National, NBT45-142 / NBT40-127

6

Additional Info/Questions
