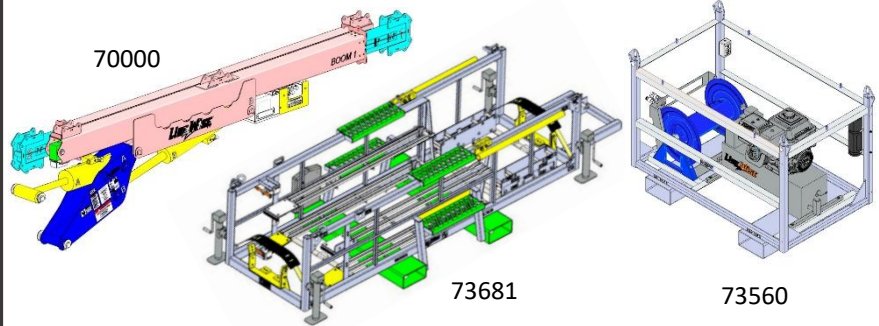


Customer: \_\_\_\_\_ Contact Name: \_\_\_\_\_  
 E-mail: \_\_\_\_\_ Phone #: \_\_\_\_\_  
 PO #: \_\_\_\_\_

For any questions or concerns, please call (254) 757-1177 and ask for our Sales Department or email [sales@line-wise.com](mailto:sales@line-wise.com)

## 1 Start with the base unit (70000)

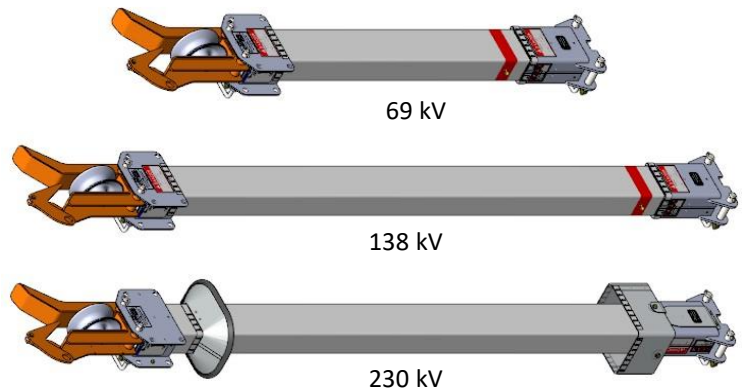
(73681 – Carrier Skid)  
 (73560 – Gas HPU)  
 or  
 (73562 – Optional Cold Weather HPU)



## 2 Choose Insulators

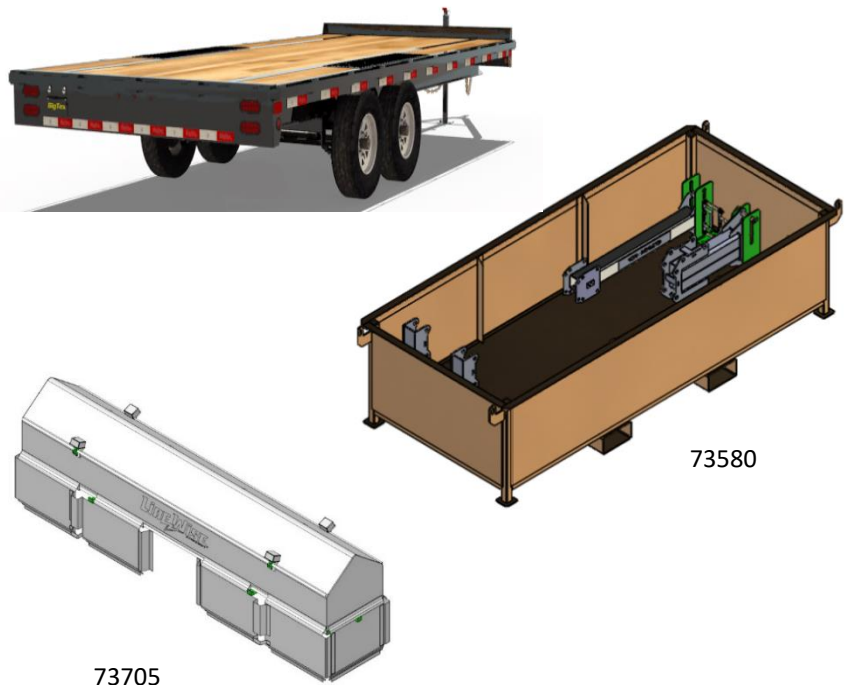
(Each Unit comes with 3.  
 Capacity will vary. 70107-XXX)  
 Clearspan shown in parenthesis

- 69 kV Sealed Fiberglass (35 1/2")
- 115 kV Sealed Fiberglass (40 1/2")
- 138 kV Sealed Fiberglass (47 1/4")
- 161 kV Sealed Fiberglass (55")
- 230 kV Sealed Fiberglass (74")



## 3 Available Storage Options

- Trailer: 22' x 102" (GVWR 14K)
- Storage Container (73580)
- TLL-1300 Covered Skid (73705)(90 day lead time extension)



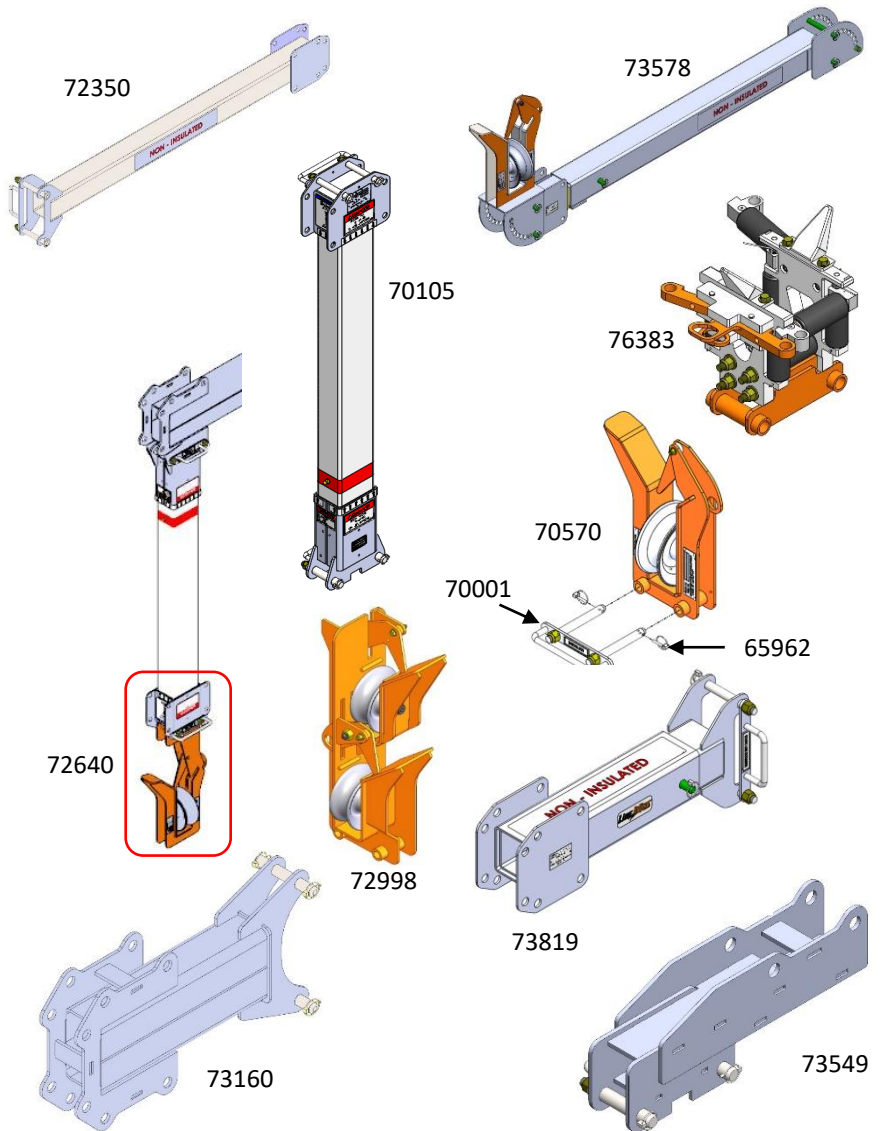
# 4

## Available Tool Options

(Check all that apply)

\*Changes capacity

- 3.5' Static Extender (72350-042)
- 5' Static Extender (73050-060)
- Adjustable Static Arm (73578) (must add Insulator)
- Delta Configuration (72640)
- Vertical Bundle Lifter (72998)
- 2' Boom Span Extender (73160)
- 1' Insulator Boom Span Extender / Shortener (73549)
- 2-3' Extending Wire Holder Arm (73819)
- Swing Gate Wire Holder (76383)
- 70570 (Wire Holder)
  - 70001 (Double Pin)
  - 65862 (Linch Pin) QTY: \_\_\_\_
- Extra Insulator (70105)  
 (QTY: \_\_\_\_ and \_\_\_\_ kV)  
 (QTY: \_\_\_\_ and \_\_\_\_ kV)



# 5

## Crane Info

Crane Make and Model:

Crane Serial #:

Able to provide Load Charts?:

### Crane Adapters we have:

- 70030-01 – National, NBT55-128 / NBT45-161 / NBT50-128
- 70030-02 – Altec, AC40-152S
- 70030-03 – Manitex, 30124C / 35124C / 38124S / 40124S
- 70030-04 – Manitex, 50155 / 50128 / 50110 / 5096
- 70030-05 – Manitex, 40127 / 45127 / 40142 / 45142
- 70030-06 – Manitex, 30-112S / 30-102C
- 70030-07 – National, NBT45-142 / NBT40-127
- 70030-08 – Terex, BT70100
- 70030-09 – Leibherr, LTM 1050-3.1
- 70030-10 – Altec, AC26-103S / AC30-103S
- 70030-11 – National, 14127A / 14127H
- 70030-12 – National, 1195
- 70030-13 – Altec, AC38-103S / AC38-127S / AC45-127S
- 70030-14 – Elliott, 40142
- 70030-15 – National, NBT60128 / NBT50L / NTC50L / NBT55L / NTC55L / NBT60L / NTC60L

[Y:\Products by Diversified\Product Order Forms\Approved Product Order Forms \(PDF\)\TLL-1300 Order Process.pdf](Y:\Products by Diversified\Product Order Forms\Approved Product Order Forms (PDF)\TLL-1300 Order Process.pdf)

# 6

## Additional Info/Questions

---



---



---



---