

Triple Line Lifter - 500



LineWise
by Diversified Products

254-757-1177

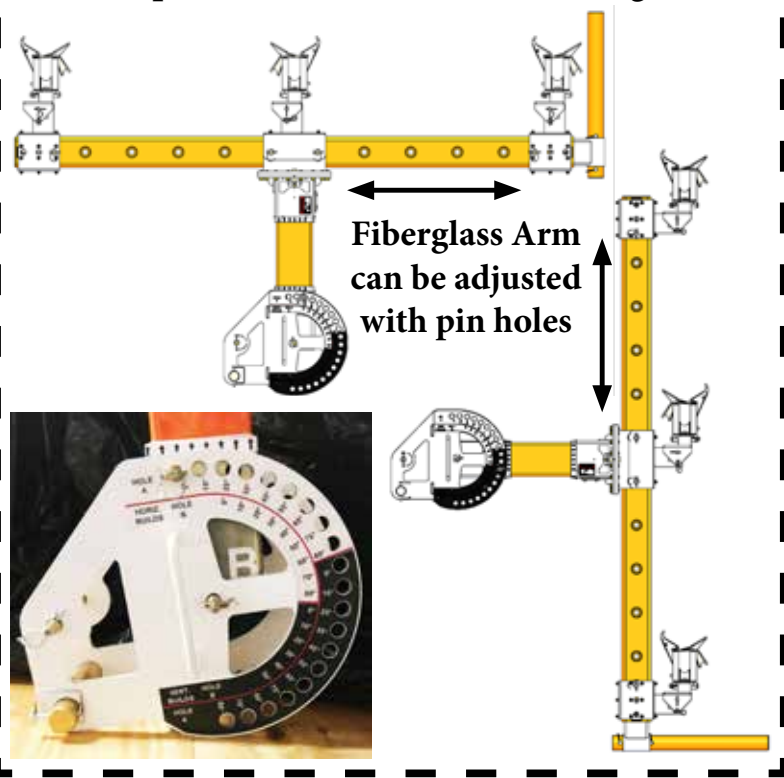
www.line-wise.com

TLL-500 is an energized conductor supporting tool that helps to create work clearances for lines up to 72.5kV. It replaces the need for temporary structures and tag lines while giving positive control of distribution live lines.

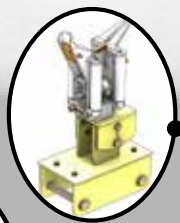
Features:

- Voltage ratings up to 72.5kV
- More capacity, features and degrees of movement than standard Aux Arm.
- Horizontal Configuration
 - 500lb capacity per conductor vertical
 - 500lb tangent with balanced load
- Vertical Configuration
 - 500lb capacity per conductor vertical
 - 500lb tangent with balanced loading
- Crossarm can be offset to one end (Alley Arm)
- Positive lock every 15° of horizontal rotation, relative to crossarm
- Conductor holder can be set at 3 inch increments
- Made to fit Digger Derricks or Boom Trucks

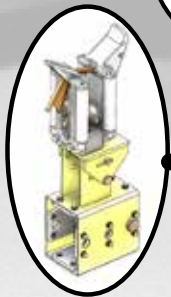
Horizontal and Vertical Configurations are possible from 0° to 80° boom angle.



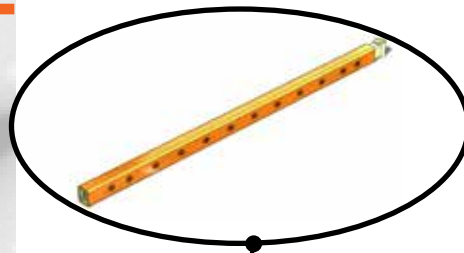
Central Conductor Holder (36 lbs.)



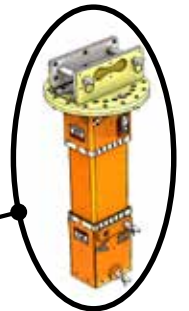
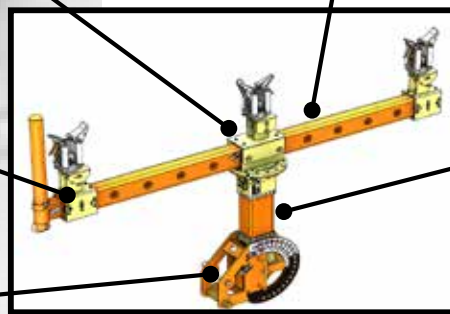
Sliding Conductor Holder (40 lbs.)



Adapter (95 lbs.)*



9 ft. Sealed Fiberglass Cross Arm (75 lbs.)*
Longer arms available



Sealed Fiberglass Mast (122 lbs.)*
Longer Arms Available

*Weight will vary for different insulation lengths and crane sizes.

1001 Webster Avenue
Waco, TX 76706
254-757-1177
sales@line-wise.com
www.line-wise.com



INSPIRED BY LINEMEN TESTED BY LINEMEN TRUSTED BY LINEMEN



Photos and diagrams are for promotional purposes only.
Product design and specifications may change without notice or obligation.

©2020 Diversified Products