

**LINEWISE**

**Triple Line Lifter - 450**

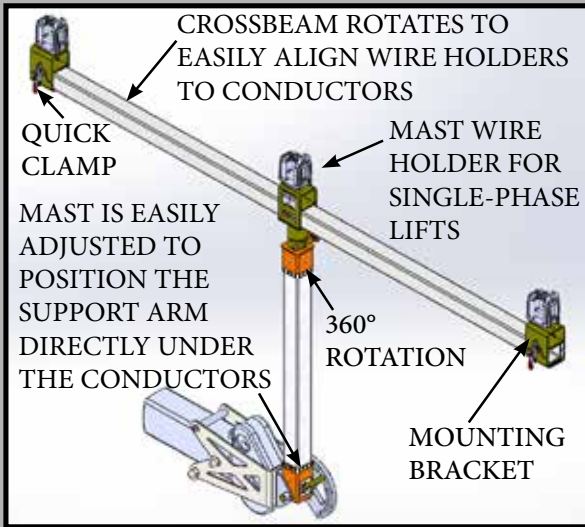


**254-757-1177 | [sales@line-wise.com](mailto:sales@line-wise.com) | [line-wise.com](http://line-wise.com)**

# SPECIFICATIONS

Maximum Voltage	72.5kV
Total unit weight (Approx.)	135 lb (61 kg)
Max. Conductor Spacing	69.6" (1768 mm)
Min. Conductor Spacing	42" (1067 mm)
Clear Span Fiberglass (4' x 4')	
Vertical Mast	4' (1219 mm)
Crossarm	5' (1524 mm)
Vertical Fiberglass Mast 4" x 4"	5' (1524 mm)
Fiberglass Crossarm 4" x 4"	12' (3658 mm)
Phase to Ground	36" (914 mm)
Maximum Horizontal Load per Phase	450 lb (612 kg)
Construction	Horizontal
Insulator	Fiberglass
Hydraulic	No
Mounting	Digger Derrick

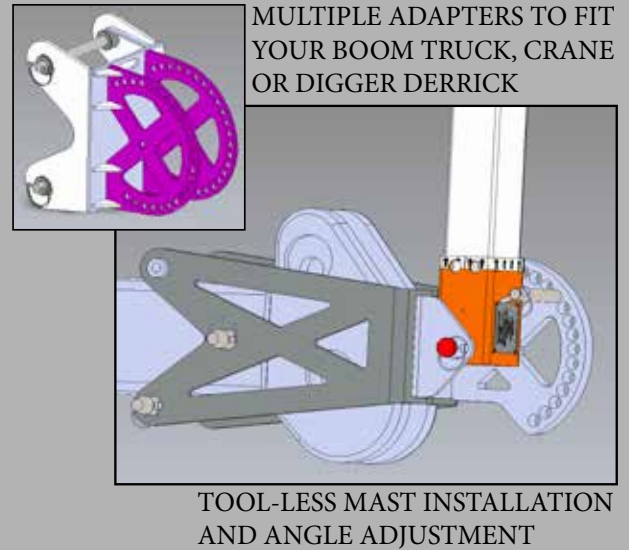
# FEATURES



# OPTIONS



- Conductor holder (standard/heavy duty)
- Neutral wire support
- Double circuit option
- Insulated with desiccant canister system
- Increased load capacities available
- Mastless unit
- Adapter to use with different cranes



INSPIRED BY LINEMEN TESTED BY LINEMEN TRUSTED BY LINEMEN

Material and specifications are subject to change without notice. Units in photos may include optional features. Contact a LineWise representative for available options. LineWise® and the LineWise logo are registered trademarks of Fritel & Associates, LLC and may not be used without permission. © 2022 Diversified Product Development All Rights Reserved.



254-757-1177 | sales@line-wise.com | line-wise.com