

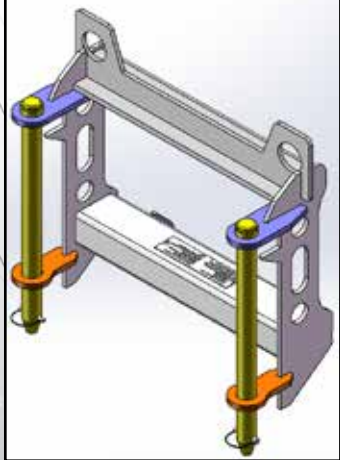
Folding Guard Arm



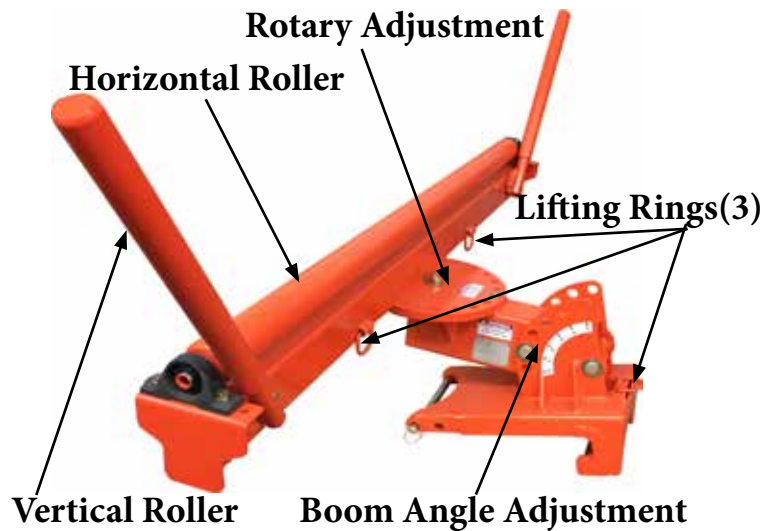
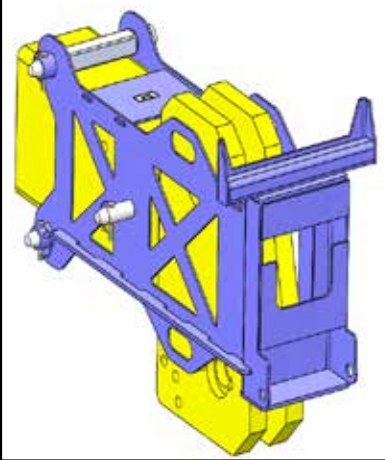
Specifications:

- Overall dimensions(in use):
96" x 36.50" x 54" tall
- Overall dimensions(folded):
80.25" x 17" x 30.25" tall
- Weight = 370 lbs
- Capacity = 1,000 lbs
- Foldable design for easy transport and storage.
- 3 lifting rings included to assist in mounting
- Mounts to boom trucks, digger derricks and various cranes with adapter
- Roller assembly may be manually adjusted radially to allow crane to set at different positions at ground level

Boom Truck Adapter



Digger Derrick Adapter



1001 Webster Avenue
Waco, TX 76706
254-757-1177
sales@line-wise.com
www.line-wise.com



INSPIRED BY LINEMEN TESTED BY LINEMEN TRUSTED BY LINEMEN

LINEWISE

©2020 Diversified Products

Photos and diagrams are for promotional purposes only.
Product design and specifications may change without notice or obligation.

