

By **DIVERSIFIED**

Texas License No: F-9655

Buddy Bushing Allowable Wear Form

(This Page for Diversified to Fill Out)

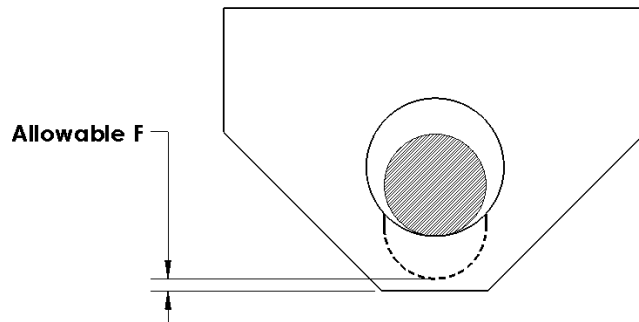
COMPANY: _____

DATE: _____

COMPANY PURCHASE ORDER: _____

DPD PART NO.: _____

DPD QUOTATION NO.: _____

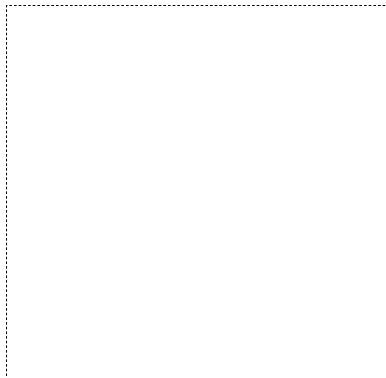


The following "F" dimensional value results from Diversified engineering analyses of the requested loads and dimensions in order to specify the minimum allowed material "F." Diversified analyses are based upon and rely fully on the accuracy of the dimensions and the loads provided by COMPANY and indicated on page 2 and 3 of this form.

F = _____ Inches MINIMUM MATERIAL THICKNESS

Authorized Diversified Engineering Signature

Seal:



By **DIVERSIFIED**

Texas License No: F-9655

BUDDY BUSHING FORM

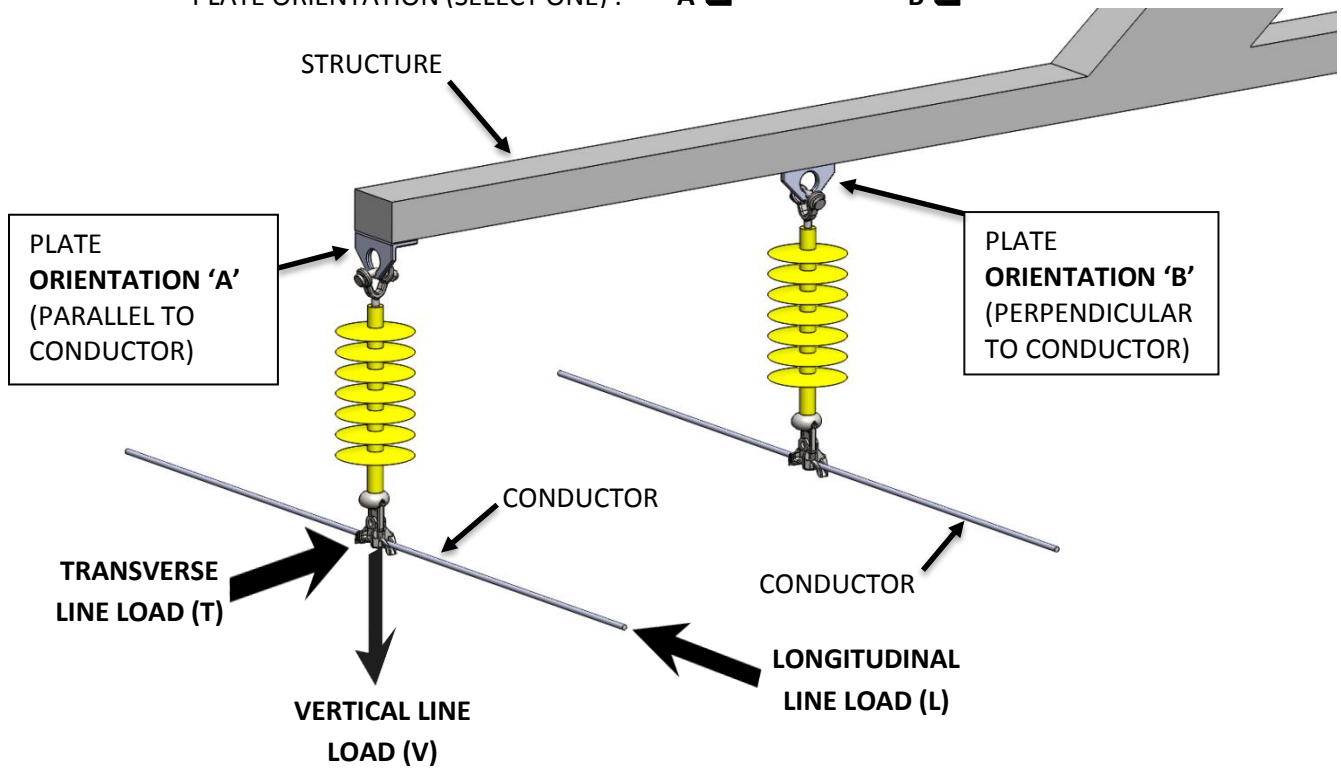
COMPANY: _____

Date: _____

Please fill out this form completely and include pictures of the hardware assembly, top, sides, and end of arm. When completed, send the form and pictures to noahg@diversifiedproduct.com or fax to (254) 757-1188.

APPLICATION DESCRIPTION: (Voltage, Type of Cable, etc.) _____

PLATE ORIENTATION (SELECT ONE) : A B



Fill out table below for each load case that the Buddy Bushing will be designed for. Please add the safety factor (SF) used for each load.

Load Case Name	load (lb)	SF	load (lb)	SF	load (lb)	SF
Vertical						
Transverse						
Longitudinal						

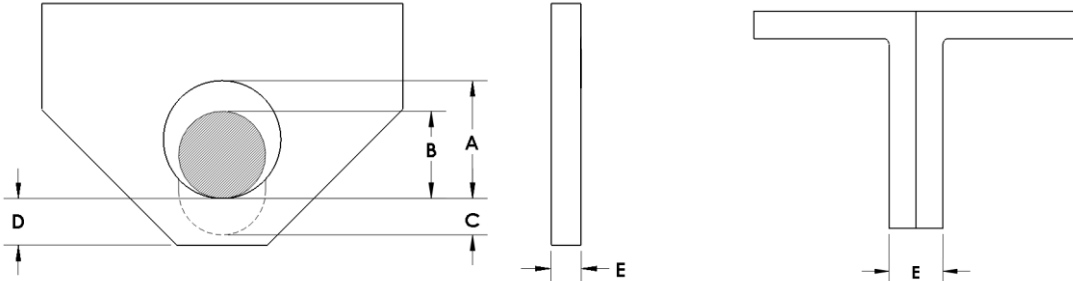
By **DIVERSIFIED**

Texas License No: F-9655

PLATE CONSTRUCTION DESCRIPTION

Single Plate Two Angles Bolted Together

Grade of Material _____



Single Plate Construction

Two Angle Construction

<u>DIM</u>	<u>DESCRIPTION</u>	<u>ADDITIONAL COMMENTS</u>
A _____	Diameter of Hole	_____
B _____	Diameter of Hardware Pin/Bolt	_____
C _____	Amount of Wear in Hole	_____
D _____	Bottom of Original Hole to Bottom Edge of Plate	_____
E _____	Total Plate Thickness	_____
_____	Plate In-Service Date	_____

TYPES OF HARDWARE ATTACHED TO PLATE

MANUFACTURER

MODEL/PART NUMBER

Can Hardware Be Changed? Yes No

ADDITIONAL DOCUMENTATION

(Pictures, Drawings of Plate, Installation Information)

CONTACT NAME: _____
 CONTACT PHONE: _____
 CONTACT EMAIL: _____