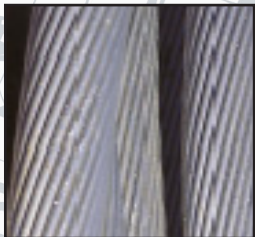


Auxiliary Arm

AA-4-12-1350

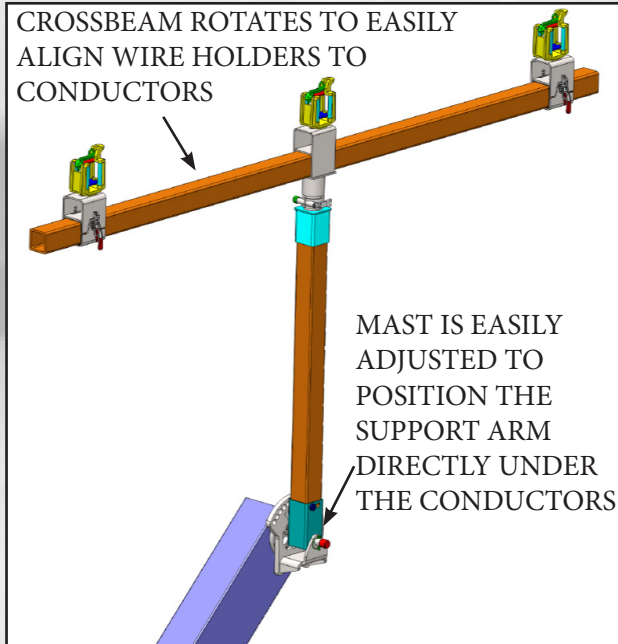


LineWise
by Diversified Products

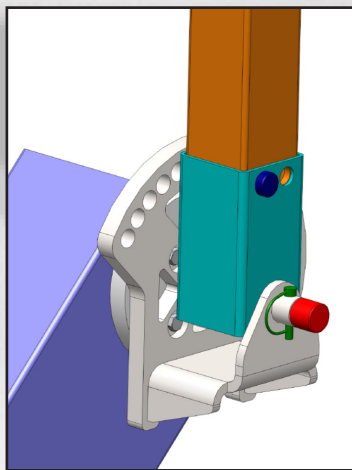
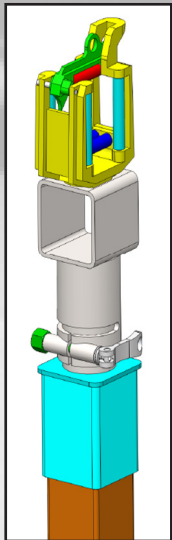
254-757-1177

www.line-wise.com

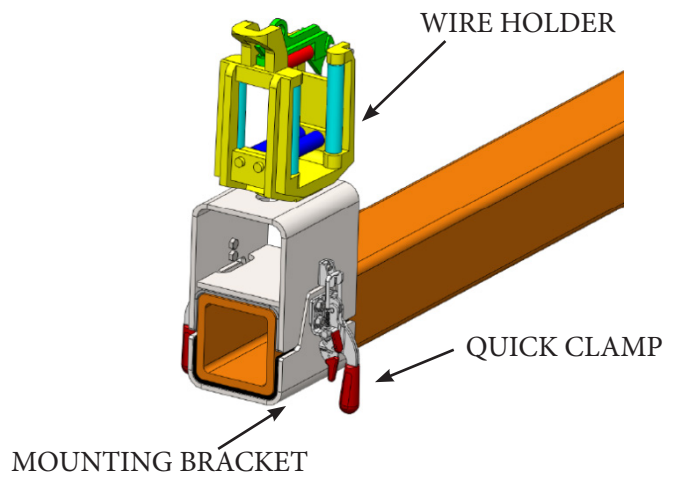
The Auxiliary Arm is a practical tool for supporting conductors while replacing insulators, crossarms, poles, hardware and creating working clearance.



MAST WIRE HOLDER FOR SINGLE-PHASE LIFTS



TOOL-LESS MAST INSTALLATION AND ANGLE ADJUSTMENT



Features and Benefits:

- Vertical and horizontal construction
- Wireholder bracket for center mast support
- Mounting hardware will fit on crane or derrick boom tip
- Mount to bucket truck

Specifications (AA-4-12-1350):

- 5' vertical fiberglass mast (4" x 4")
- 12' fiberglass support arm (4" x 4")
- Mechanical Capacity:
 - Balanced Vertical Load: 1,350 lb
 - (450 lb per conductor)
 - Unbalanced Vertical Load: 1,000 lb
- Dielectric Capacity: (clear span fiberglass)
 - Mast clear span fiberglass is 4'
 - Arm has 5' clear span fiberglass

Options:

- Wire holders - Regular duty & Heavy duty
- Neutral wire support
- Storage bags for mast and support arm

1001 Webster Avenue
Waco, TX 76706
254-757-1177
noahg@diversifiedproduct.com
www.line-wise.com

INSPIRED BY LINEMEN TESTED BY LINEMEN TRUSTED BY LINEMEN

LineWise