

# Yoke Man Basket



1200 lb  
Capacity



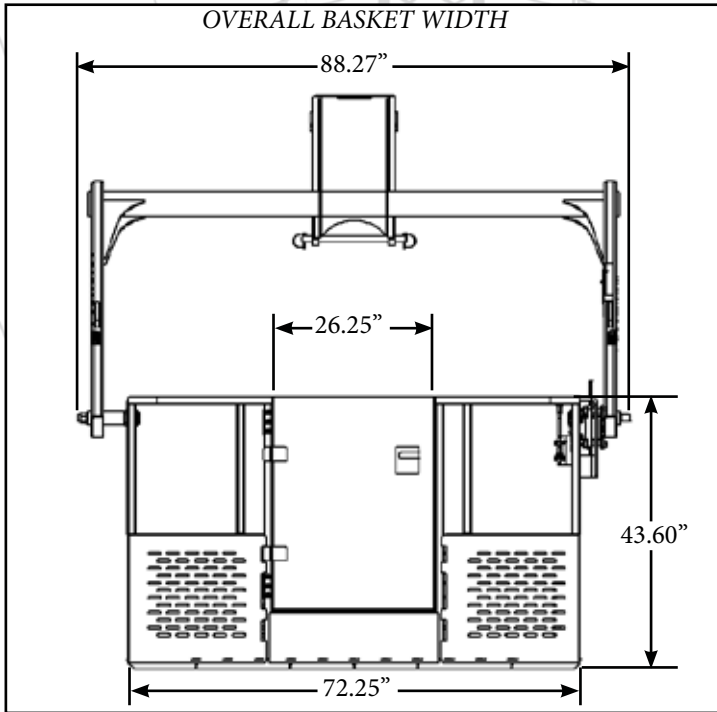
**LIFTWISE**

by Diversified Products

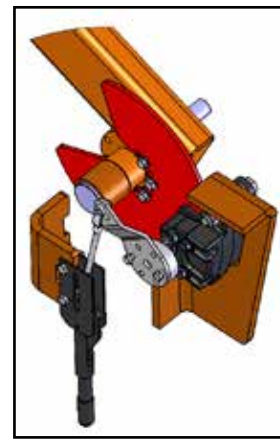
254-757-1177

[www.lift-wise.com](http://www.lift-wise.com)

*The next generation basket designed by engineers after many years of input from operators and field crews.*



- Full-sized floor provides more space for men and materials - 21 square feet

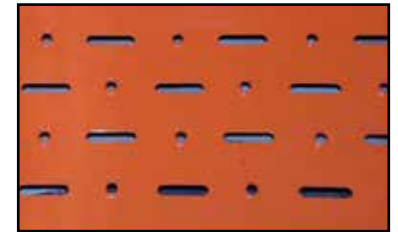


#### **BRAKE**

- High capacity disc brake
- Heavy duty linkage
- Plated brake disc

#### **FLOOR**

- Slots in the floor to drain water
- Upset holes for skid resistance
- 42" x 72"

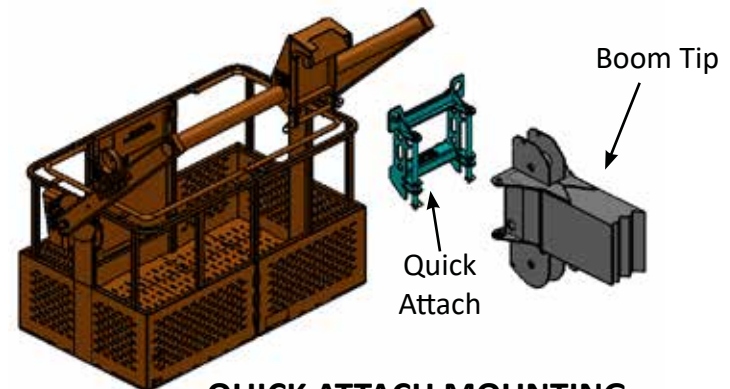


#### **ENTRANCE**

- Gate swings inward to provide security
- Heavy duty hinges with stainless steel pins provide long life
- Basket entrance has reinforcement for rugged applications
- Gate clearance to the floor provides added storage space

#### **Features and Benefits:**

- Steel construction to meet the rigors of contractors and utility applications
- Fabricated with laser produced parts, keyed together, then welded into place by certified welders
- Assembly designed utilizing solid modeling and Finite Element Analysis
- Meets or exceeds industry standards



#### **QUICK ATTACH MOUNTING**

- Ease of installation on a crane tip
- Basket universal mounting permits installation on multiple cranes

1001 Webster Avenue  
Waco, TX 76706  
254-757-1177  
noahg@diversifiedproduct.com  
www.lift-wise.com

*Contact Diversified for all your man basket needs. Yoke style 4', 6', single man, rotating and special requirements.*

**LIFTWISE**