

By **DIVERSIFIED**

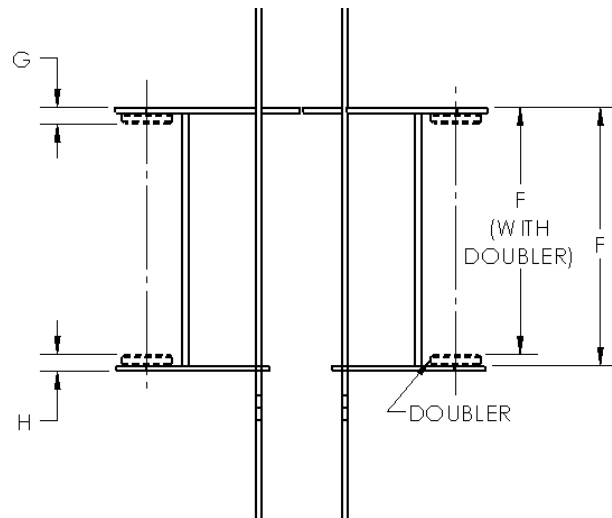
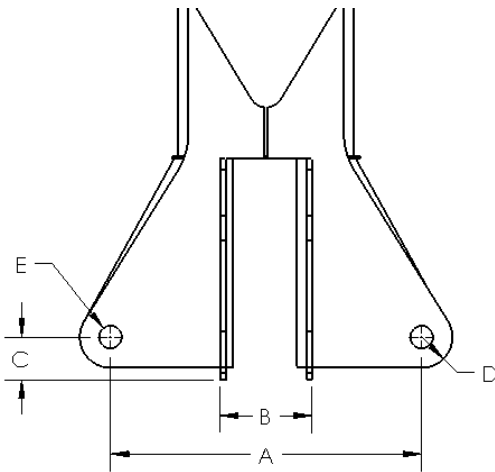
Texas License No: F-9655

BOOM TIP ADAPTER FORM

Please fill out this form completely and include pictures of the top, sides, and end of the boom. When completed, send this form and pictures to noahg@diversifiedproduct.com or fax to (254) 757-1188.

NOTE: WITHOUT PICTURES, WE CANNOT GUARANTEE A PROPER FIT.

COMPANY:	_____	CRANE MAKE:	_____
CONTACT NAME:	_____	CRANE MODEL:	_____
CONTACT PHONE:	_____	CRANE SERIAL NO.:	_____



- A _____ Distance from center to center of each hole
- B _____ Outside width of sheave opening
- C _____ Distance from center of hole to anything past jib ears
- D _____ Distance from center of hole to edge of jib ear
- E _____ Hole Diameter
- F _____ Distance from top of upper jib ear to top of lower jib ear. If the boom tip has doublers, then use distance from top of upper jib ear to top of lower doubler.
- G _____ Total thickness of upper ear (including doublers, if applicable)
- H _____ Total thickness of lower ear (including doublers, if applicable)

ADDITIONAL COMMENTS
